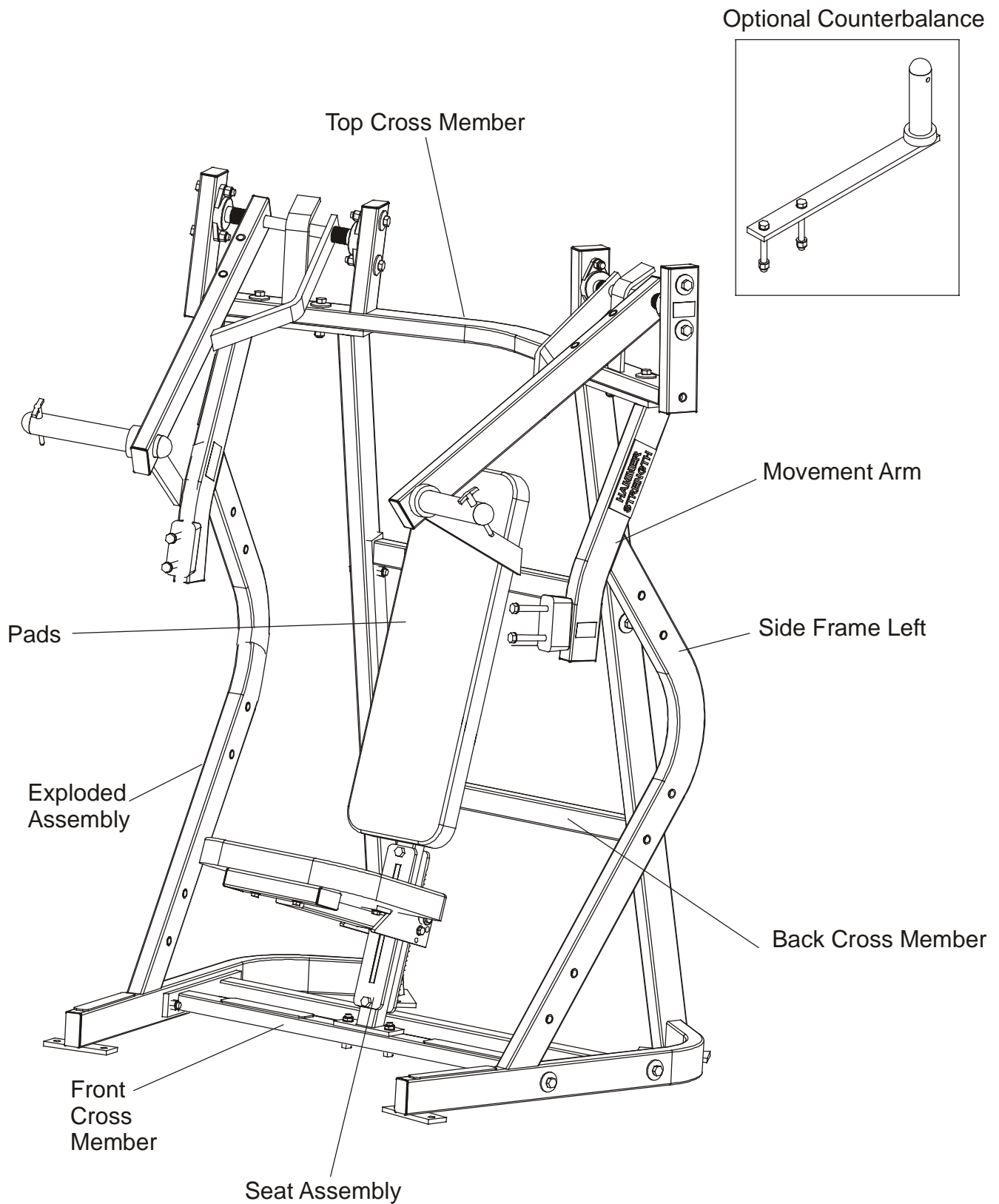


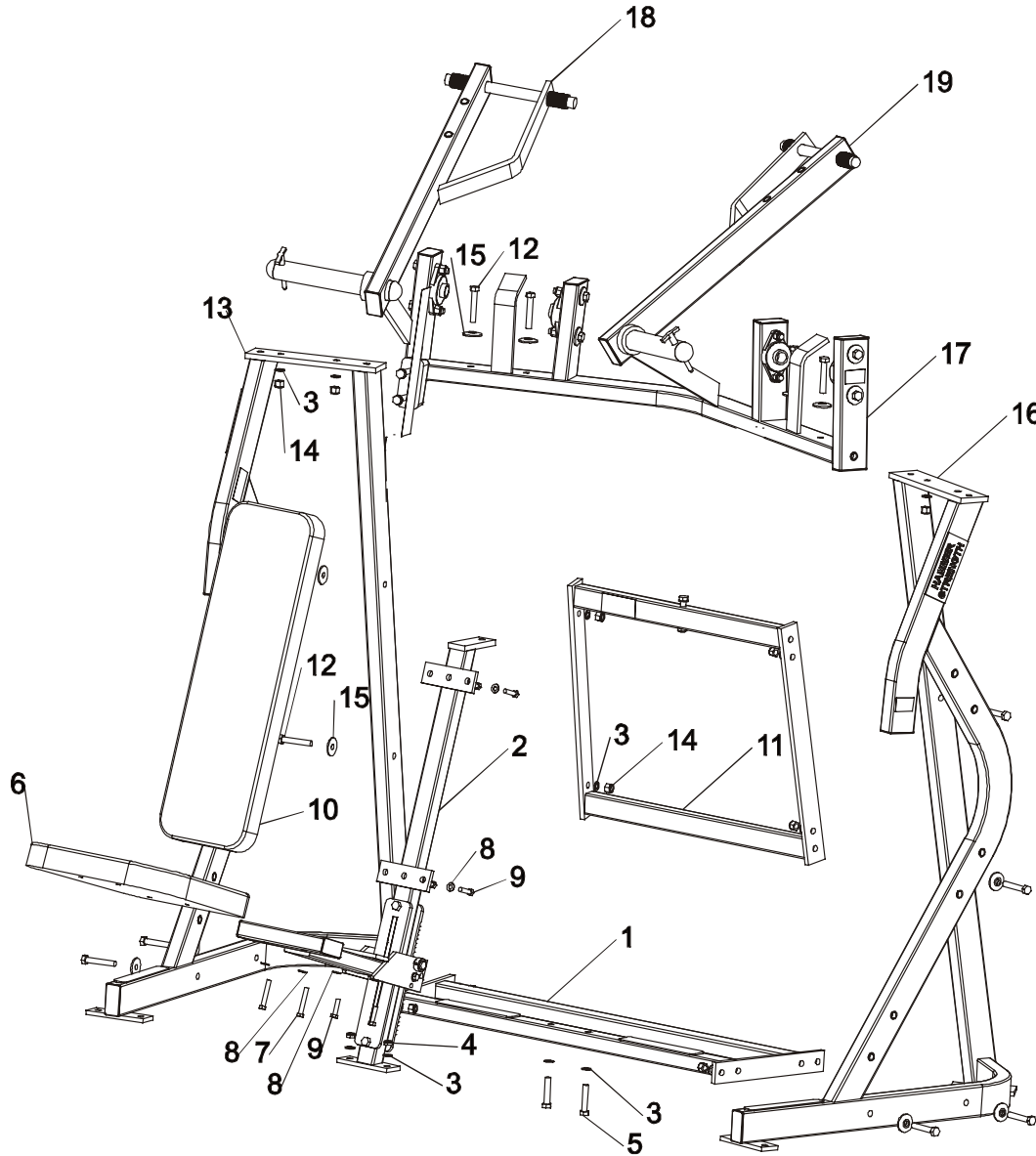
# HAMMER STRENGTH EQUIPMENT

## ILBP-V ISO-Lateral Bench Press w/Vertical Handles



# HAMMER STRENGTH EQUIPMENT

## ILBP-V Exploded Assembly

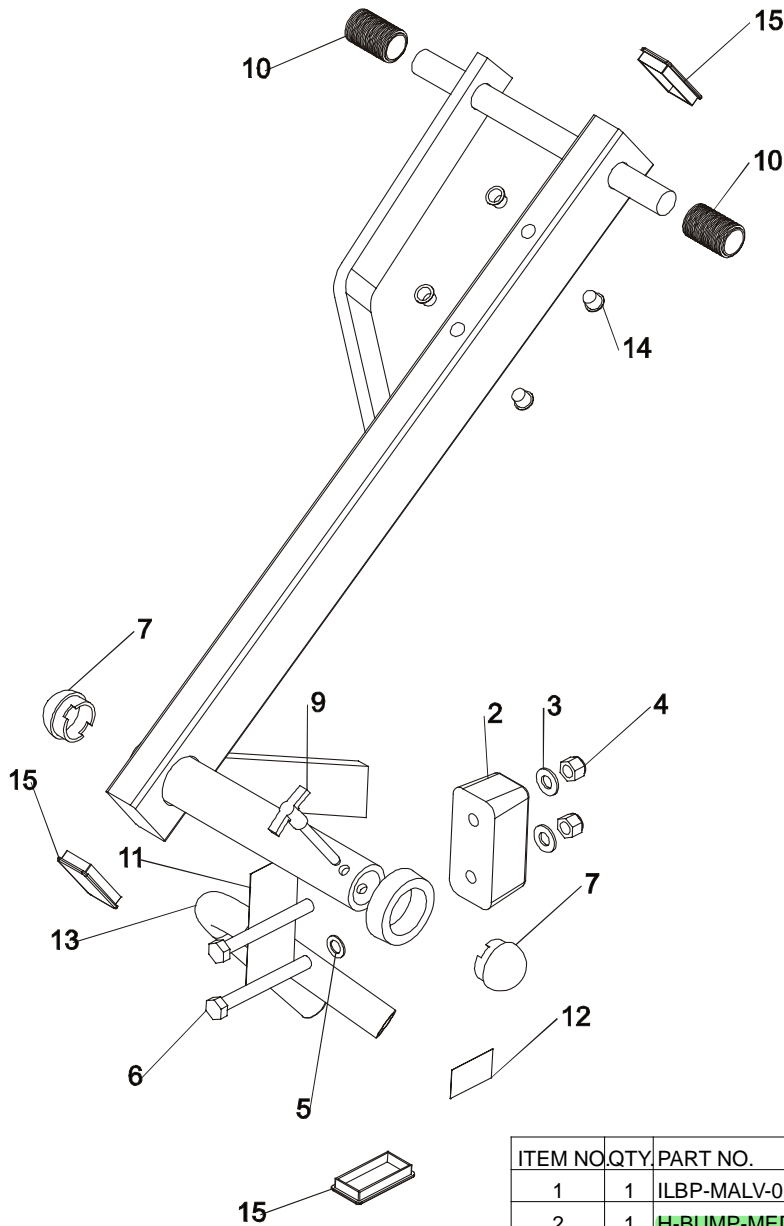


ITEM NO.	QTY.	PART NO.	DESCRIPTION	ITEM NO.	QTY.	PART NO.	DESCRIPTION
1	1	ILBP-CFX-0	ASSM FRONT CROSSMEMBER	11	1	ILBP-CBX-0	ASSM BACK CROSSMEMBER
2	1	ILBP-CST-0	ASSM SEAT FRAME	12	13	HHB.5X3	1/2 X 3 Bolt
3	18	WASH.5STAR	1/2" Internal Lock Washer	13	1	ILBP-CSFR-0	ASSM RIGHT SIDE FRAME
4	3	NUT.5JAMFINE	1/2" Jam Nut Fine	14	12	NUT.5LOCK	1/2" Thick Lock Nut
5	2	HHB.5X2.5	1/2 X 2 1/2 Bolt	15	12	H-BACK-WASH	Backing Washer
6	1	U16-11	Standard 16" Pad	16	1	ILBP-CSFL-0	ASSM LEFT SIDE FRAME
7	2	HHB.375X2.5	3/8 X 2 1/2 Bolt	17	1	ILBP-CTX-0	ASSM TOP CROSSFRAME
8	8	WASH.375SAE	3/8" SAE Flat Washer	18	1	ILBP-CMARV-0	ASSM RIGHT MOVEMENT ARM
9	6	HHB.375X1.5	3/8 X 1 1/2 Bolt	19	1	ILBP-CMALV-0	ASSM MOVEMENT ARM LEFT
10	1	U33-19	Standard 33" Pad				



# HAMMER STRENGTH EQUIPMENT

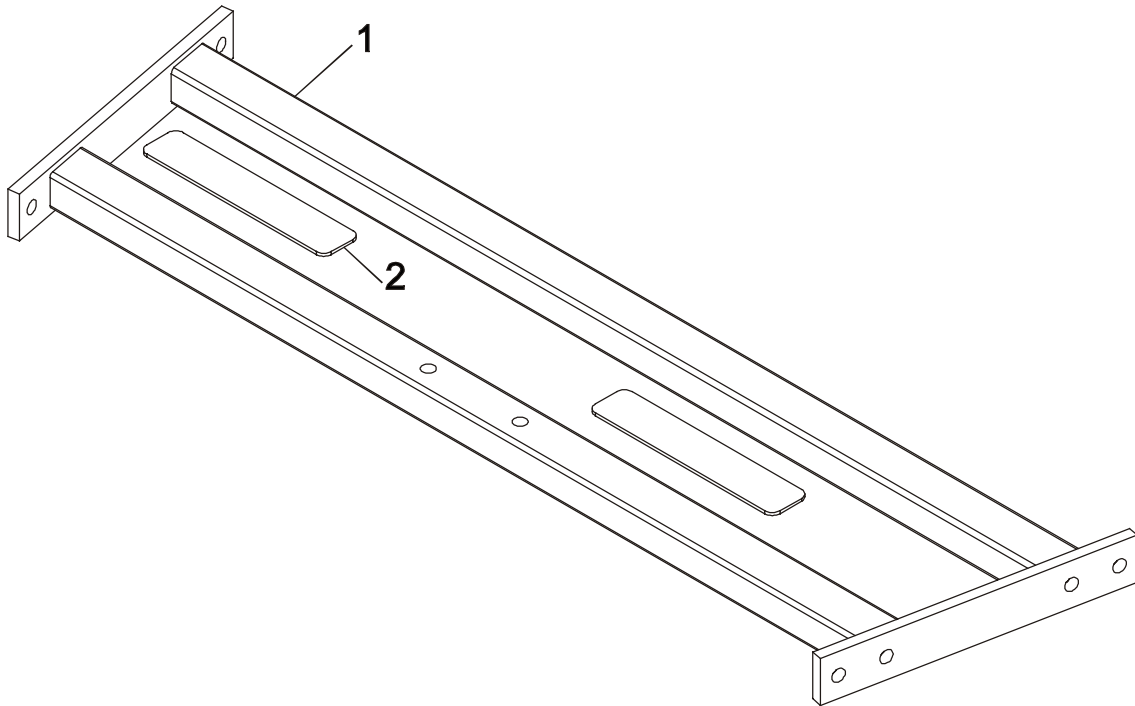
## ILBP-V Movement Arm Left



ITEM NO.	QTY.	PART NO.	DESCRIPTION
1	1	ILBP-MALV-0	MOVEMENT ARM LEFT
2	1	H-BUMP-MED	MM2 Medium
3	2	WASH.5SAE	1/2" SAE Flat Washer
4	2	NUT.5LOCK	1/2" Thick Lock Nut
5	2	WASH.5STAR	1/2" Internal Lock Washer
6	2	HHB.5X4.5	1/2 X 4 1/2 Bolt
7	2	H-BENDCAP	Bullet Cap
8	1	H-RUBRNG	MM5 Ring
9	1	SELECTOR PIN-4	SELECTOR PIN 4 INCH
10	2	ACCORDIAN	Shaft Guard
11	1	WARNING LARGE-V	Large Warning Vert.
12	1	STAY CLEAR	Stay Clear Decal
13	1	H-GRIP(ILBP-V-D00)	HandGrip
14	4	H-HPLUG(REG)	Hole Plug
15	3	H-PEND3	1 1/2 X 3 End Cap

**HAMMER STRENGTH EQUIPMENT**  
**ILBP-V Front Cross-Member**

---

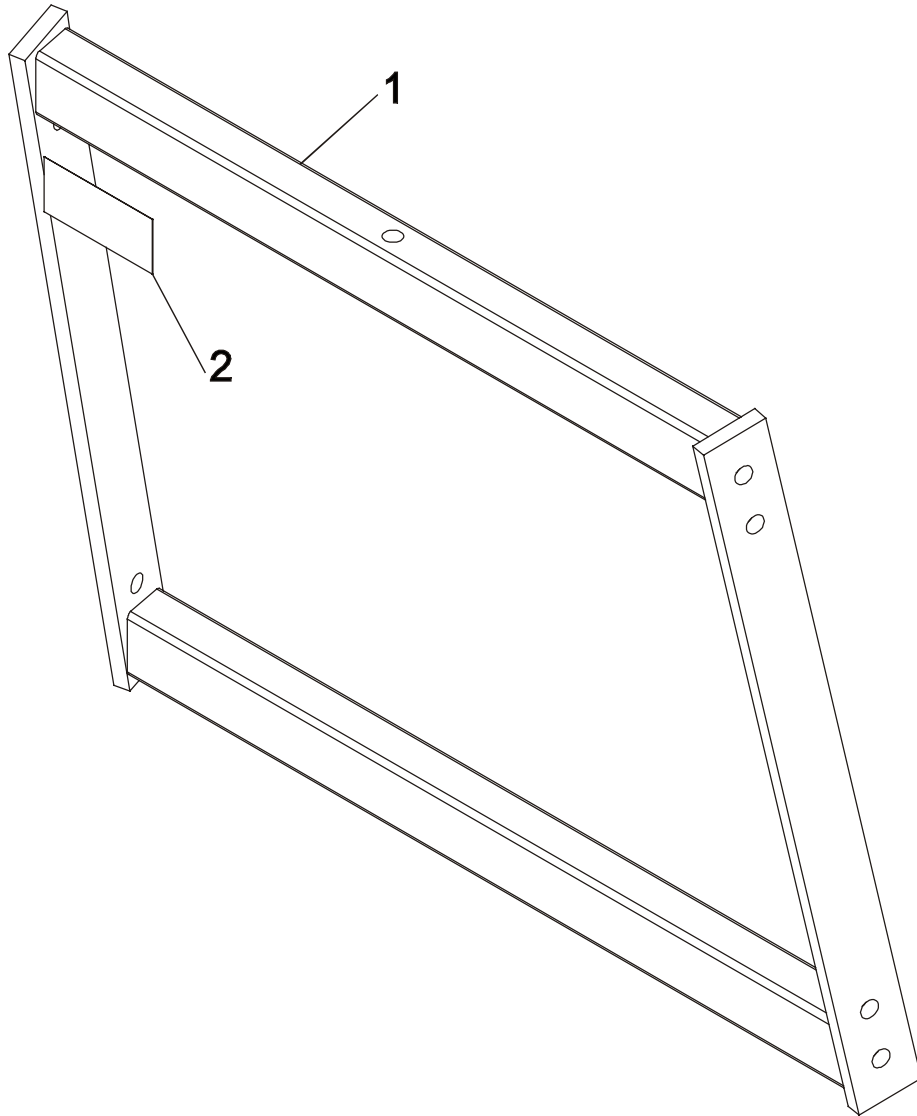


ITEM NO.	QTY.	PART NO.	DESCRIPTION
1	1	ILBP-FX-0	FRONT CROSSMEMBER
2	2	H-NONSKID	2 1 3/4 X 9 Nonskid

# HAMMER STRENGTH EQUIPMENT

## ILBP-V Back Cross-Member

---

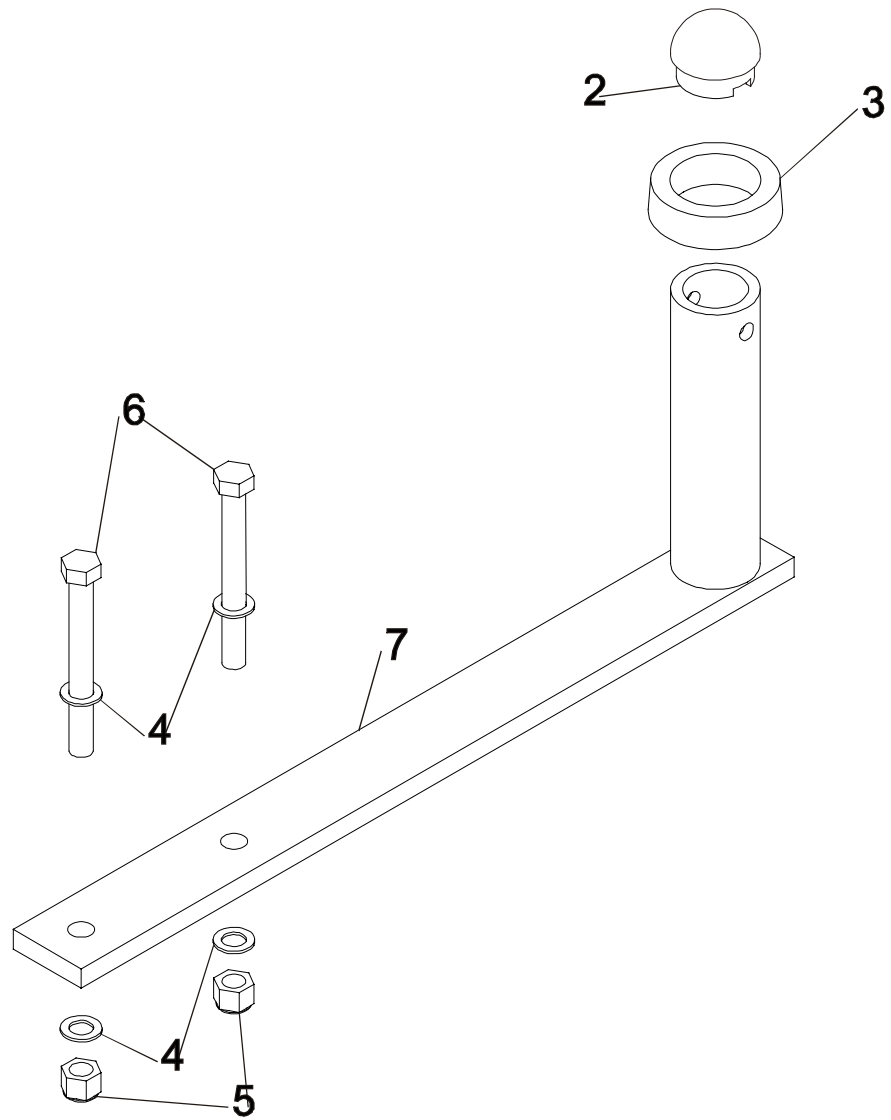


ITEM NO.	QTY.	PART NO.	DESCRIPTION
1	1	ILBP-BX-0	BACK CROSS MEMBER
2	1	WARNING SMALL-H	Small Warning Hor.

# HAMMER STRENGTH EQUIPMENT

## ILBP-V Counterbalance

---

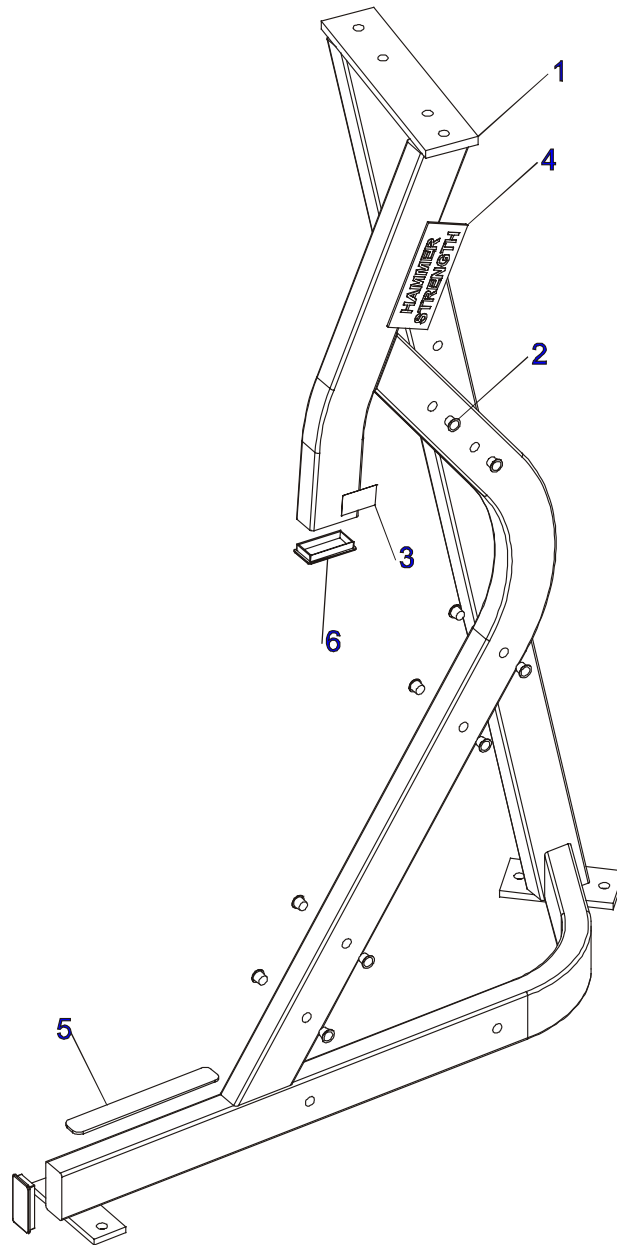


ITEM NO.	QTY.	PART NO.	DESCRIPTION
2	1	H-BENDCAP	Bullet Cap
3	1	H-RUBRNG	MM5 Ring
4	4	WASH.5STAR	1/2" Internal Lock Washer
5	2	NUT.5LOCK	1/2" Thick Lock Nut
6	2	HHB.5X4.5	1/2 X 4 1/2 Bolt
7	1	ILBP-ETC-0	Counter Balance

# HAMMER STRENGTH EQUIPMENT

## ILBP-V Side Frame Left

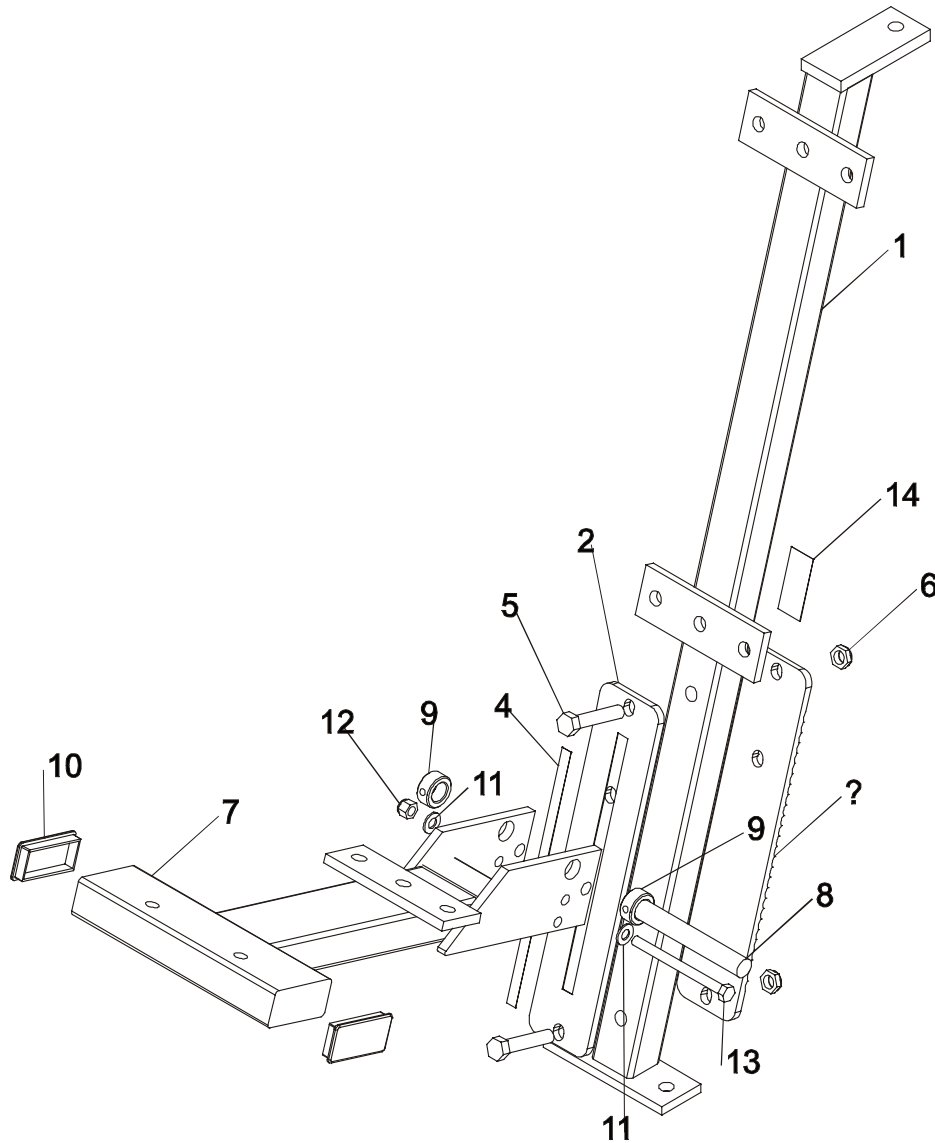
---



ITEM NO.	QTY.	PART NO.	DESCRIPTION
1	1	ILBP-SFL-0	LEFT SIDE FRAME
2	12	H-HPLUG(REG)	Hole Plug
3	1	STAY CLEAR	Stay Clear Decal
4	1	H-NAMEPLATE	Name Plate
5	1	H-NONSKID1	1 1/4 X 9 Nonskid
6	2	H-PEND3	1 1/2 X 3 End Cap

# HAMMER STRENGTH EQUIPMENT

## ILBP-V Seat Frame

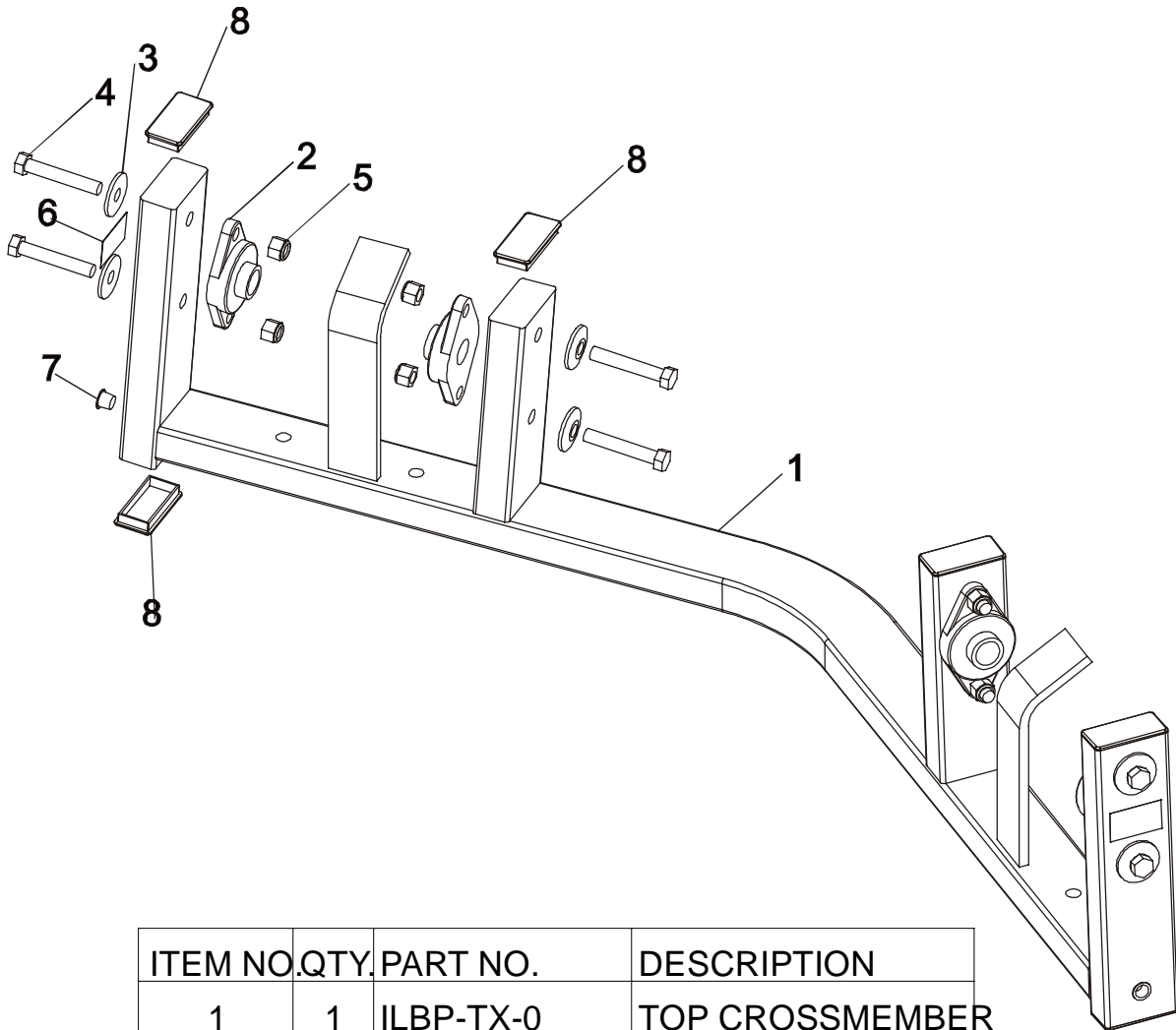


ITEM NO.	QTY.	PART NO.	DESCRIPTION
1	1	ILBP-ST-0	SEAT FRAME
2	1	H-SEATRCKS	Seatrack Front
3	1	H-SEATRCKS-RIB	Seatrack Back
4	1	SEAT NUMBER	Seat Adj. Number
5	2	HHB.5X2.5	1/2 X 2 1/2 Bolt
6	2	NUT.5JAMFINE	1/2" Jam Nut Fine
7	1	STD-ST2	Standard Seat #2
8	1	STshft	Seat Shaft
9	2	H-LCOLLAR75	3/4" Lock Collar
10	2	H-PEND3	1 1/2 X 3 End Cap
11	2	WASH.375SAE	3/8" SAE Flat Washer
12	1	NUT.375LOCK	3/8" Thick Lock Nut
13	1	HHB.375X4.5	3/8 X 4.5 Bolt
14	1	SERIAL NUMBER	Serial Number

# HAMMER STRENGTH EQUIPMENT

## ILBP-V Top Cross Member

---



ITEM NO.	QTY.	PART NO.	DESCRIPTION
1	1	ILBP-TX-0	TOP CROSSMEMBER
2	4	H-BEAR-SML	Small Bearing
3	8	H-BACK-WASH	Backing Washer
4	8	HHB.5X3	1/2 X 3 Bolt
5	8	NUT.5LOCK	1/2" Thick Lock Nut
6	2	STAY CLEAR	Stay Clear Decal
7	2	H-HPLUG(REG)	Hole Plug
8	6	H-PEND3	1 1/2 X 3 End Cap