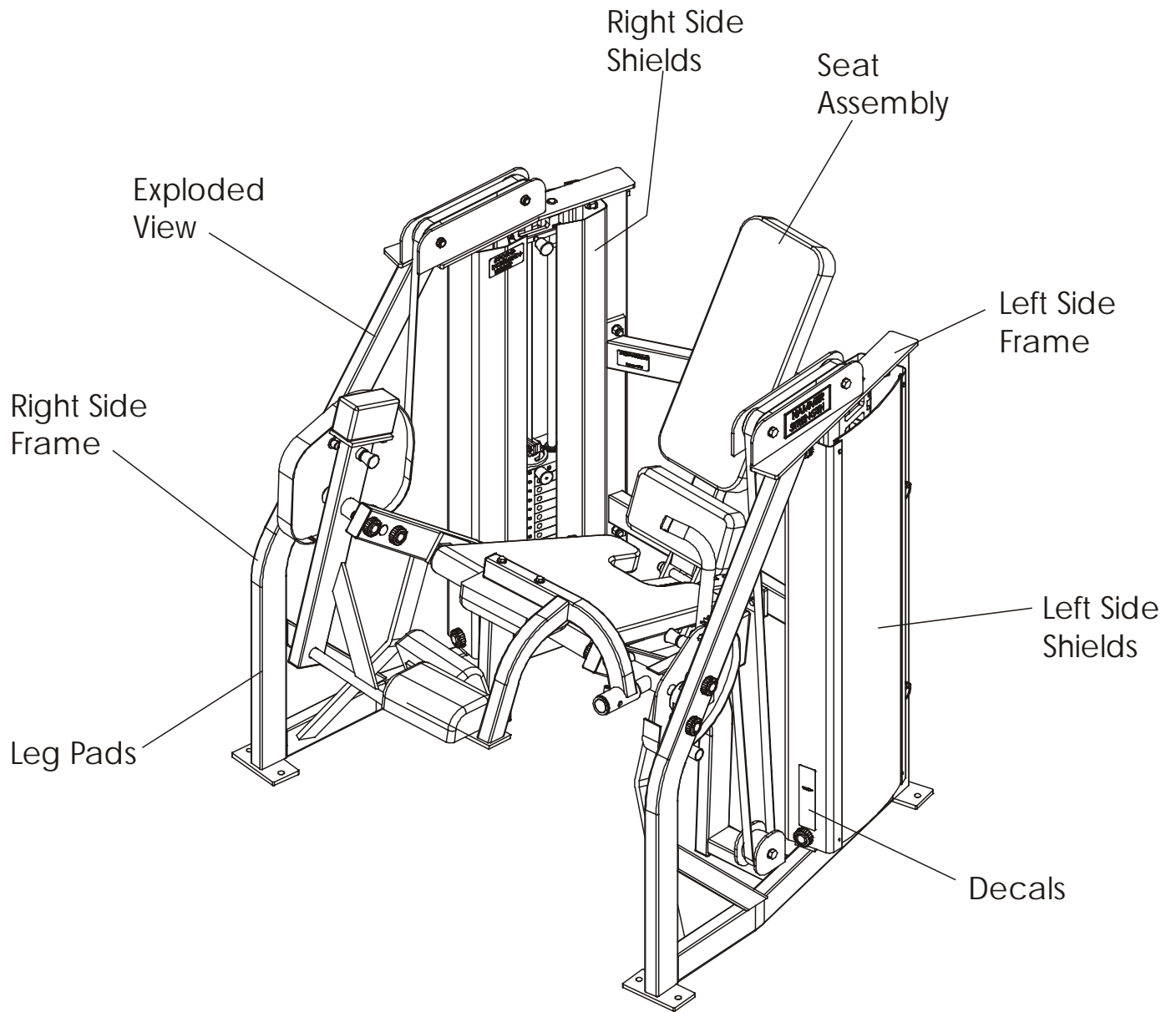


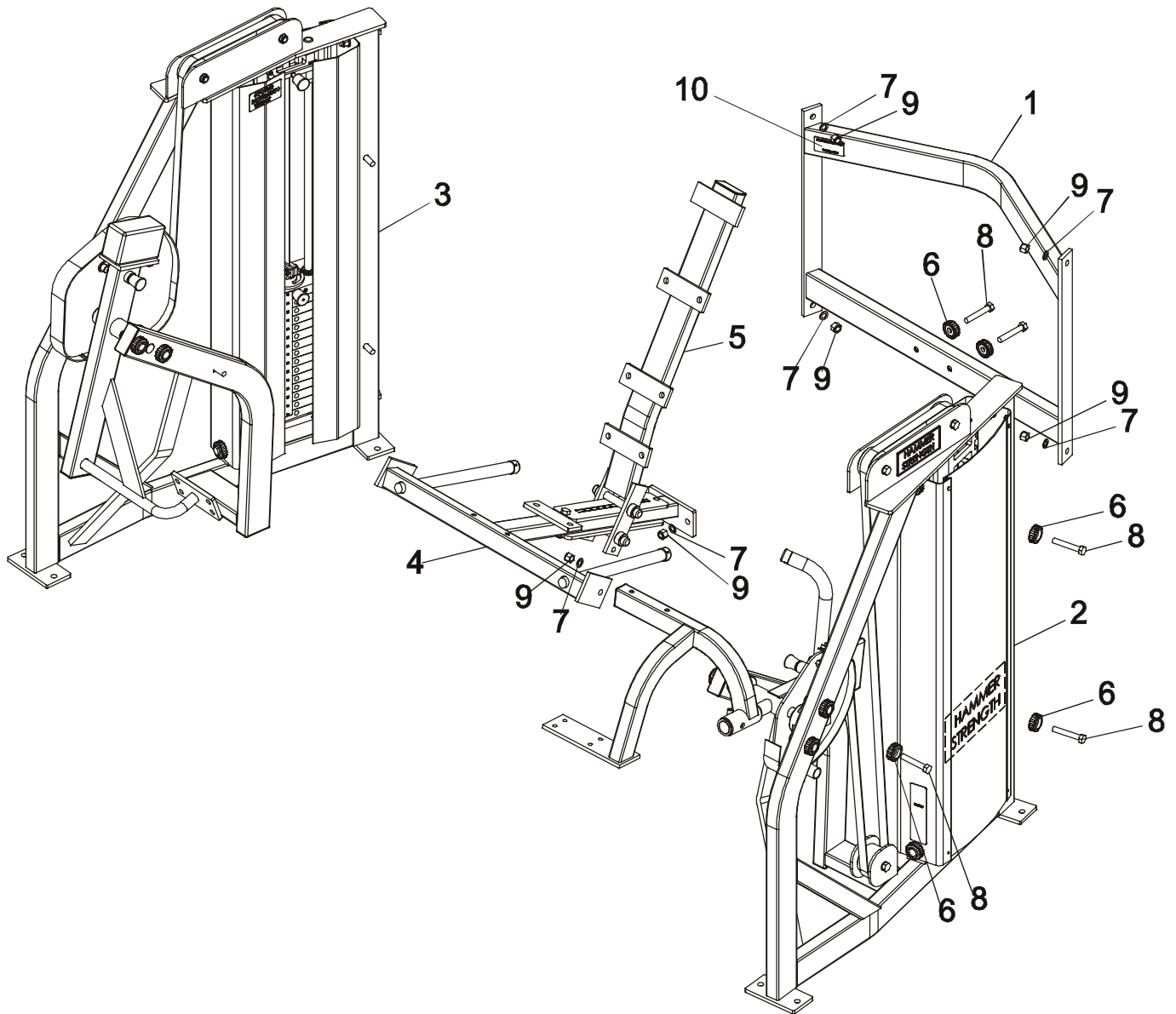
HAMMER STRENGTH EQUIPMENT

MTRR - Motion Technology Reciprocating Right – Unit Assembly



HAMMER STRENGTH EQUIPMENT

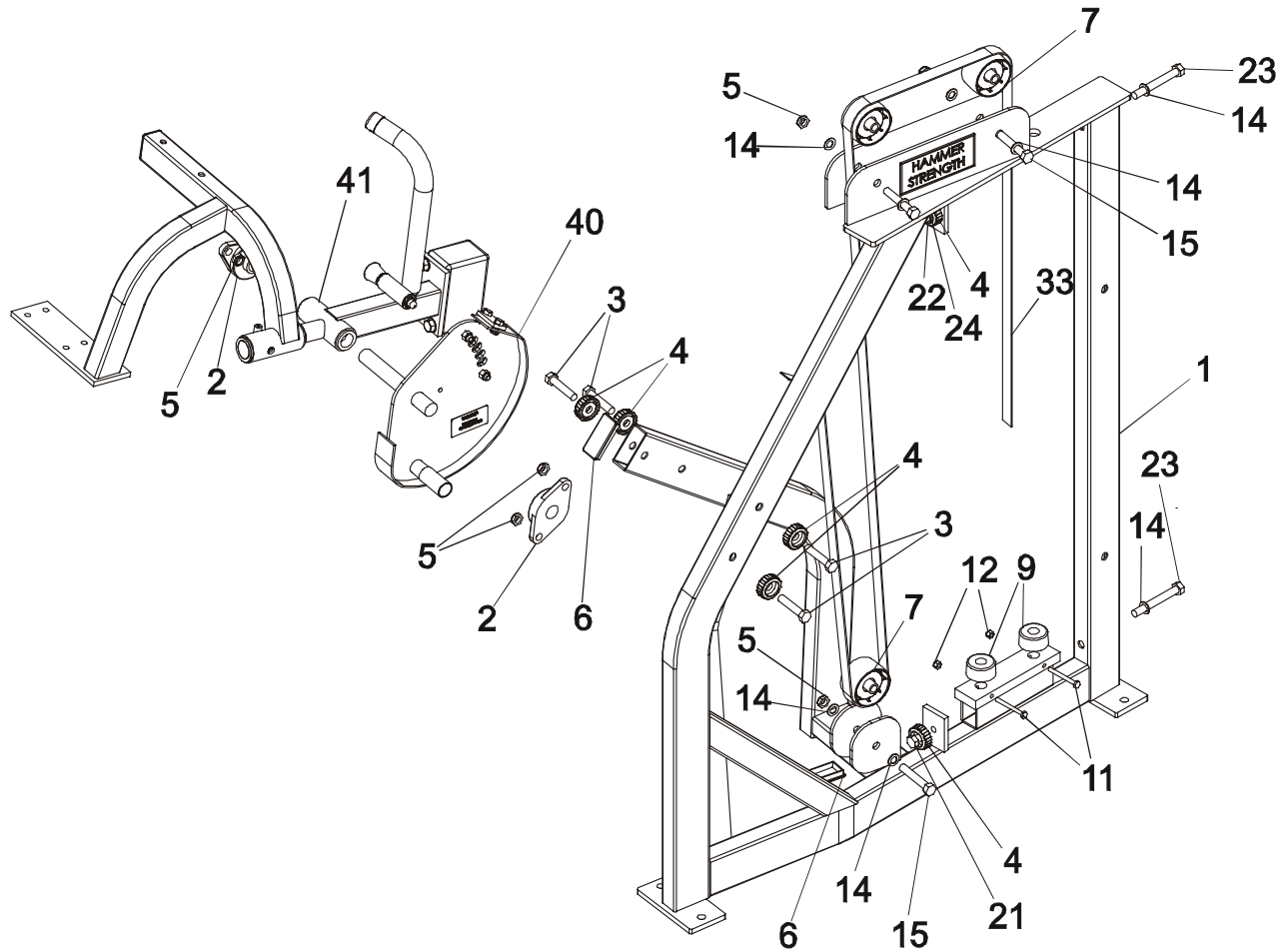
MTRR - Exploded View



ITEM NO.	QTY.	PART NO.	DESCRIPTION
1	1	MTLE-S0009	Back Frame
2	1	MTRR-A0003	Left Side Frame Assembly
3	1	MTLE-A0008	Right Side Frame Assembly
4	1	MTLE-A0001	Seat Frame Assembly
5	1	MTLE-A0002	Seat Back Assembly
6	8	0017-00042-1041	HAMMER HEAD WASHER
7	8	0017-00104-0379	1/2" Internal Lock Washer
8	8	0017-00101-1582	1/2 X 3 Bolt
9	8	0017-00103-0223	1/2" Thick Lock Nut
10	1	M051-00299-A000	HAMMER PATENT DECAL

HAMMER STRENGTH EQUIPMENT

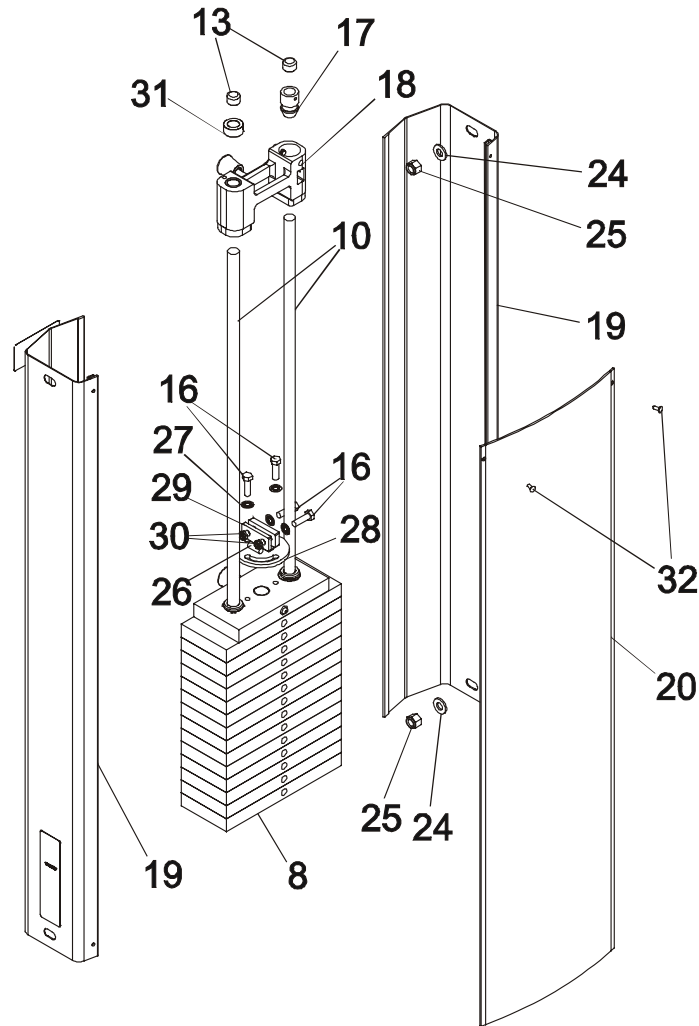
MTRR – Left Side Frame



ITEM NO.	QTY.	PART NO.	DESCRIPTION
1	1	MTLC-S0003	Left Side Frame
2	2	0017-00009-1034	Small Bearing
3	4	0017-00101-1572	1/2 X 2 1/2 Bolt
4	6	0017-00042-1041	HAMMER HEAD WASHER
5	7	0017-00103-0224	1/2" Thin Lock Nut
6	2	0017-00042-1038	1 1/2 X 3 End Cap
7	3	0017-00009-1039	3" PULLEY ASSEMBLY
9	2	0017-00042-0993	WEIGHT STACK DONUT 1" THICK
11	2	0017-00101-1585	1/4 X 2 1/2 Bolt
12	2	0017-00103-0226	1/4" Thick Lock Nut
14	8	0017-00104-0379	1/2" Internal Lock Washer
15	3	0017-00101-1582	1/2 X 3 Bolt
21	1	0017-00101-1586	1/2 X 3/4 Bolt
22	1	0017-00101-1583	1/2 X 1 1/4 Bolt
23	2	0017-00101-1580	1/2 X 4 Bolt
24	3	0017-00104-0311	1/2" SAE Flat Washer
33	1	0017-00033-0855	MTLC STRAP (132")
40	1	MTLC-A0006	Cam Assy - Left
41	1	MTLC-A0005	LEFT M.A. ASSEMBLY

HAMMER STRENGTH EQUIPMENT

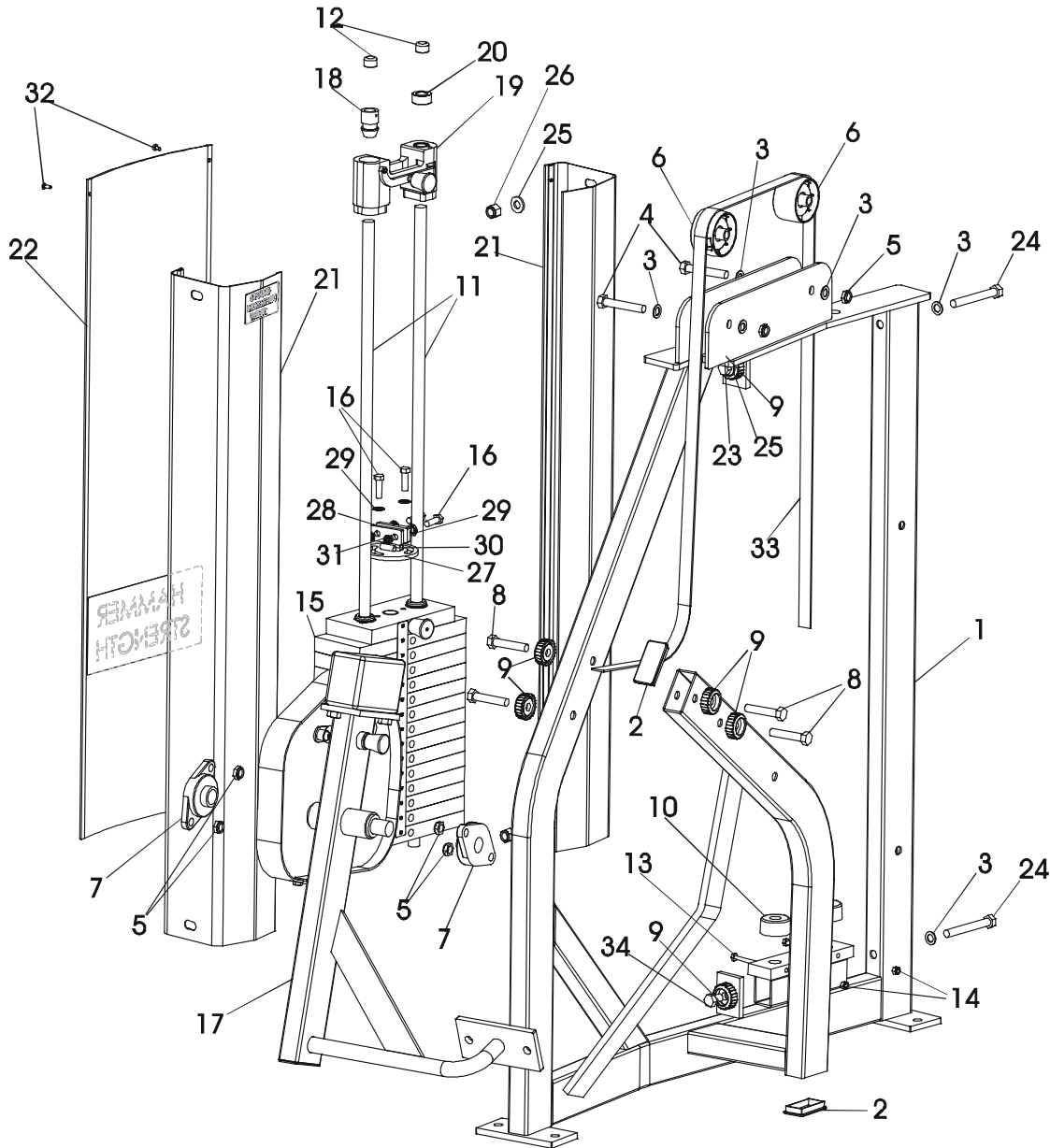
MTRR – Left Side Shields



ITEM NO.	QTY.	PART NO.	DESCRIPTION
8	1	AK50-WS018	MTS 150 LB WEIGHT STACK
10	2	0017-00009-0933(MTLE)	CHROME ROD (43.25")
13	2	0017-00042-0967	3/4 I.D. BLACK PLASTIC ROD CAP
16	4	0017-00101-1412	3/8 X 1 1/4 Bolt
17	1	OK50-P1110	GUIDE ROD COLLAR
18	1	AK50-S0021	Increment Weight Assembly
19	2	MTLC-P0130	MTS SIDE SHIELD
20	1	OK50-P1160	SHIELD BACK PANEL
24	3	0017-00104-0311	1/2" SAE Flat Washer
25	2	0017-00103-0223	1/2" Thick Lock Nut
26	1	OK50-P1132	BELT WRAP PEG
27	4	0017-00104-0377	WSH .375 INT LOCK ST ZN
28	1	AK50-S0023	BELT ATTACHMENT PLATE
29	1	OK50-P1121	Strap Clamp 2
30	2	0017-00103-0217	NUT 3/8 - NYLOC; THIN NY NO
31	1	0017-00009-1019	3/4" Lock Collar
32	2	0017-00101-1587	SHIELD RIVET

HAMMER STRENGTH EQUIPMENT

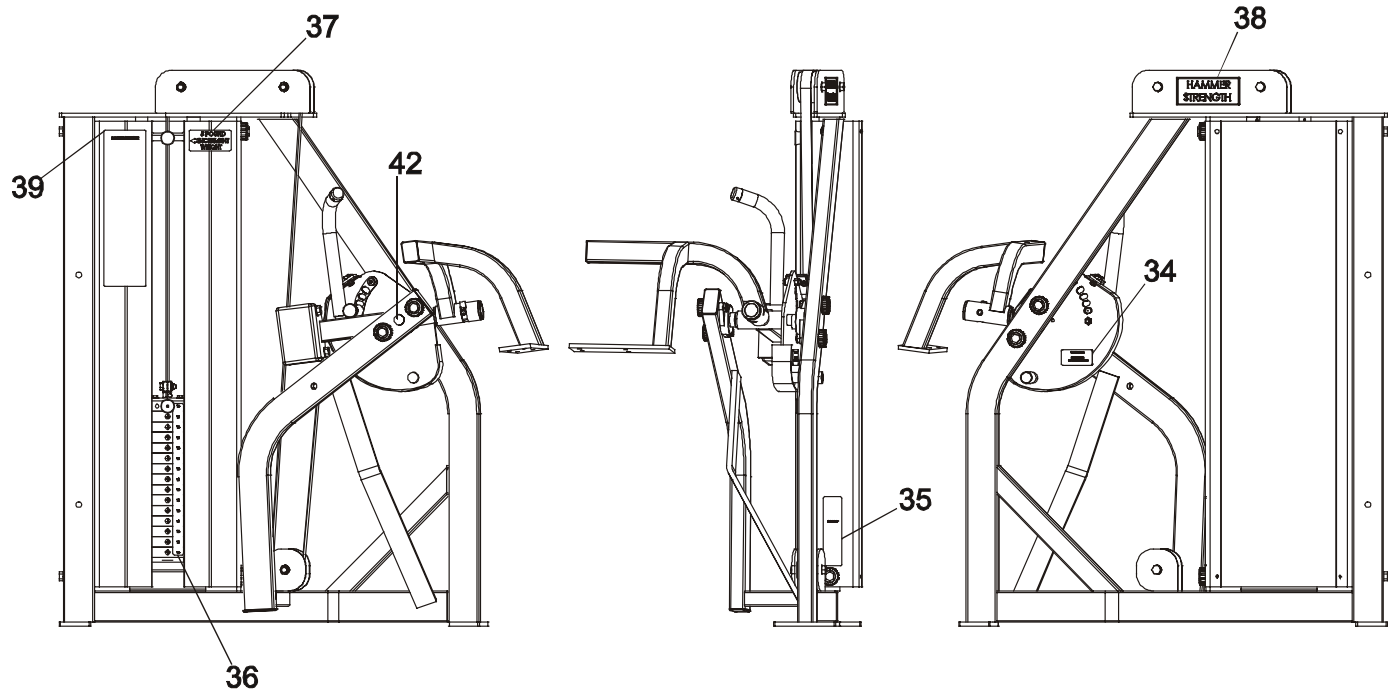
MTRR – Right Side Frame and Side Shields



ITEM NO.	QTY.	PART NO.	DESCRIPTION	ITEM NO.	QTY.	PART NO.	DESCRIPTION
1	1	MTLE-S0008	Right Side Frame	21	2	MTLC-P0130	MTS SIDE SHIELD
2	2	0017-00042-1038	1 1/2 X 3 End Cap	22	1	MTLC-P0131	SHIELD BACK PANEL
3	6	0017-00104-0379	1/2" Internal Lock Washer	23	1	0017-00101-1583	1/2 X 1 1/4 Bolt
4	2	0017-00101-1582	1/2 X 3 Bolt	24	2	0017-00101-1580	1/2 X 4 Bolt
5	6	0017-00103-0224	1/2" Thin Lock Nut	25	3	0017-00104-0311	1/2" SAE Flat Washer
6	2	0017-00009-1039	3" PULLEY ASSEMBLY	26	2	0017-00103-0223	1/2" Thick Lock Nut
7	2	0017-00009-1034	Small Bearing	27	1	AK50-S0025	BELT ATTACHMENT PLATE
8	4	0017-00101-1572	1/2 X 2 1/2 Bolt	28	1	OK50-P1121	Strap Clamp 2
9	6	0017-00042-1041	HAMMER HEAD WASHER	29	4	0017-00104-0377	WSH .375 INT LOCK ST ZN
10	2	0017-00042-0993	WEIGHT STACK DONUT 1" THICK	30	1	OK50-P1132	BELT WRAP PEG
11	2	0017-00009-0933(MTLE)	CHROME ROD (43.25")	31	2	0017-00103-0217	NUT 3/8 - NYLOC; THIN NY NO
12	2	0017-00042-0967	3/4 I.D. BLACK PLASTIC ROD CAP	32	2	0017-00101-1587	SHIELD RIVET
13	2	0017-00101-1585	1/4 X 2 1/2 Bolt	33	1	0017-00033-0855(MTLE)	MTLE STRAP (.84")
14	2	0017-00103-0226	1/4" Thick Lock Nut	34	1	0017-00101-1586	1/2 X 3/4 Bolt
15	1	AK50-WS018	MTS 150 LB WEIGHT STACK	35	1	M051-00293-A000	WARNING DECAL
16	4	0017-00101-1412	3/8 X 1 1/4 Bolt	36	1	M051-00292-A000	HAMMER STRENGTH SHIELD DECAL
17	1	MTLE-A0006	Right Movement Arm Assembly	37	1	M051-00294-A000	WEIGHT STACK NUMBER STRIP
18	1	OK50-P1110	GUIDE ROD COLLAR	38	1	M051-00297-A000	INCREMENT WT. DECAL (RIGHT)
19	1	AK50-S0021	Increment Weight Assembly	39	1	M051-00289-A000	HAMMER STRENGTH NAME PLATE
20	1	0017-00009-1019	3/4" Lock Collar				

HAMMER STRENGTH EQUIPMENT

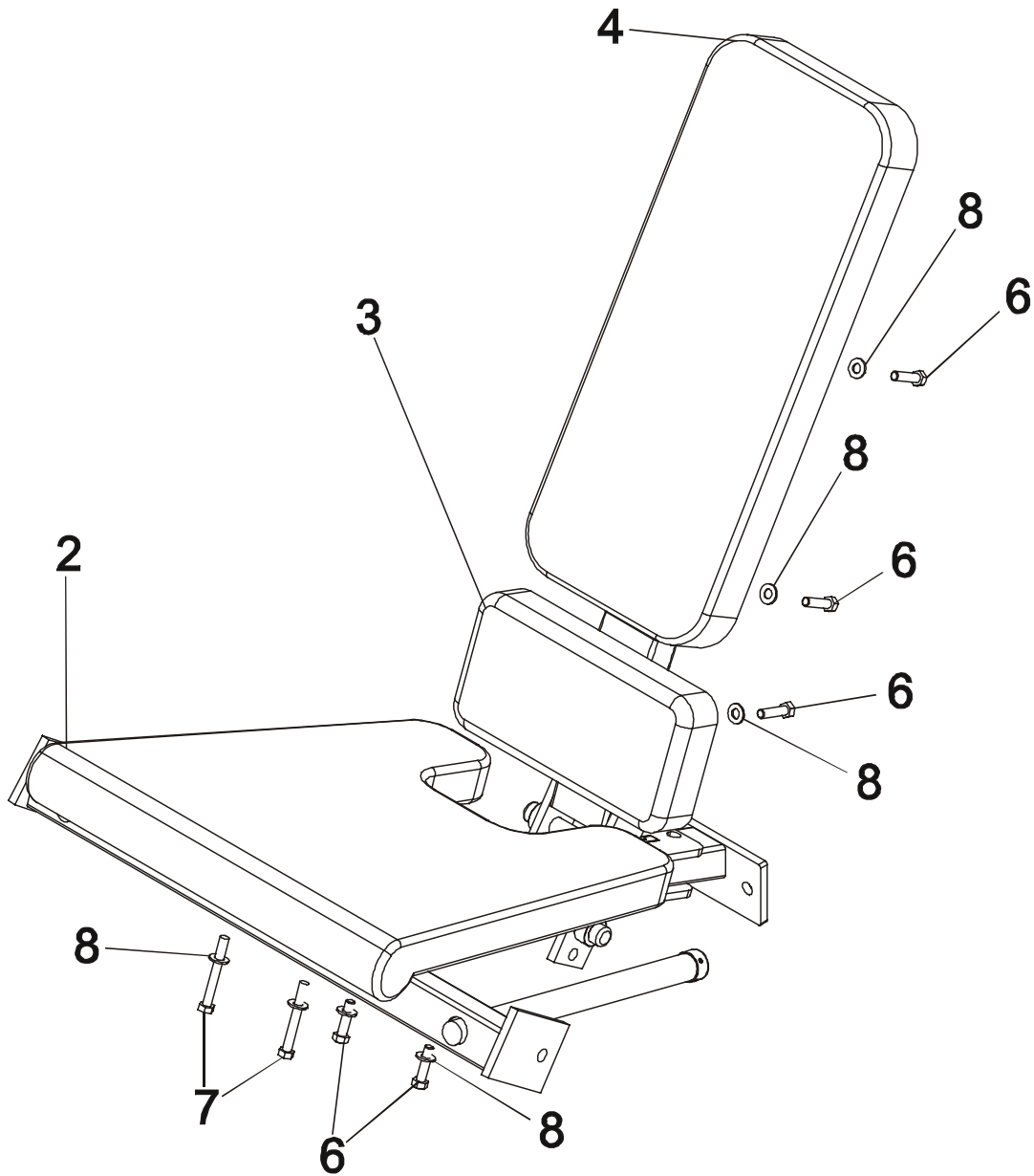
MTRR – Decals



ITEM NO.	QTY.	PART NO.	DESCRIPTION
34	1	M051-00293-A000	WARNING DECAL
35	1	M051-00335-A000	WARNING DECAL
36	1	M051-00294-A000	WEIGHT STACK NUMBER STRIP
37	1	M051-00298-A000	INCREMENT WT. DECAL (LEFT)
38	1	M051-00289-A000	HAMMER STRENGTH NAME PLATE
39	1	M051-00480-A000	MTRR/RL INSTR. DECAL
42	1	M051-00465-A000	PIVOT POINT LABEL

HAMMER STRENGTH EQUIPMENT

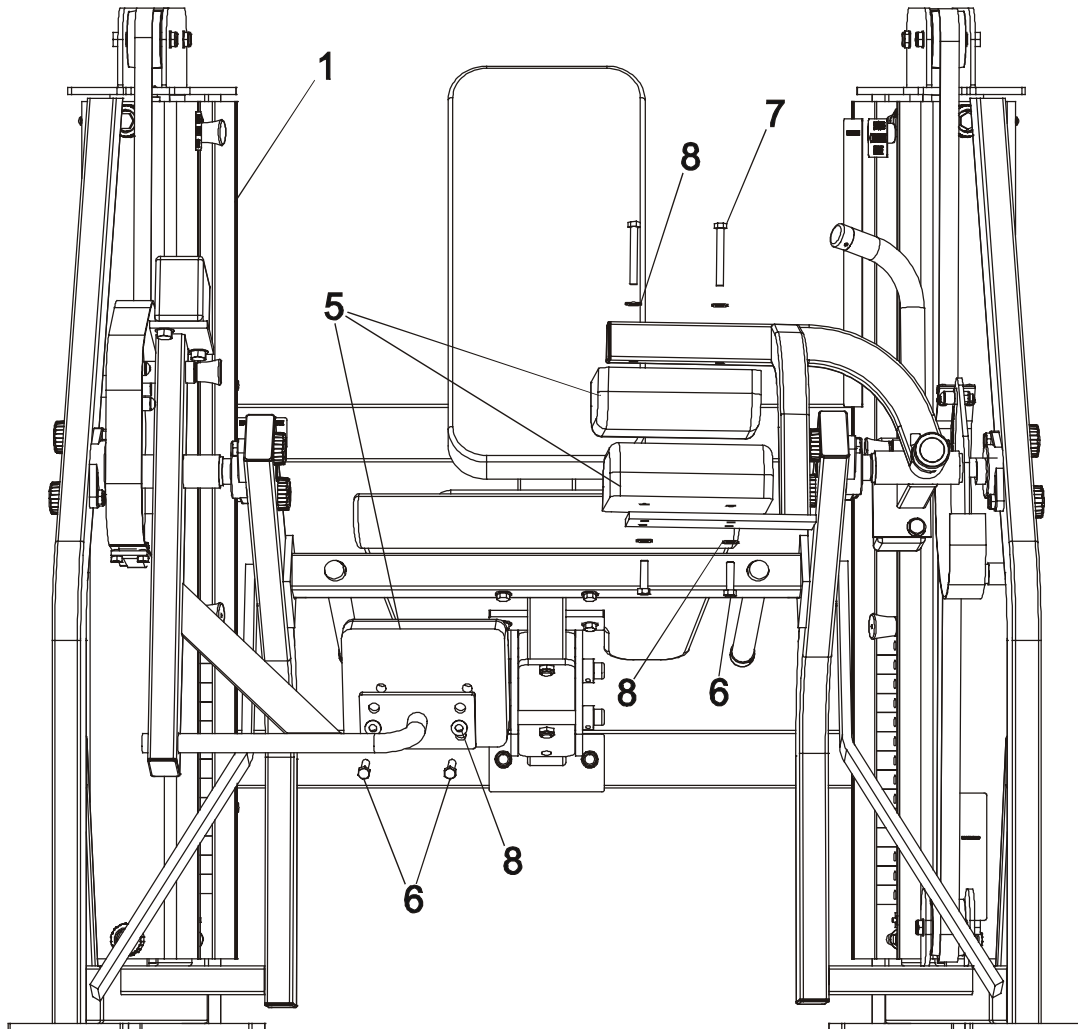
MTRR – Seat Assembly



ITEM NO.	QTY.	PART NO.	DESCRIPTION
2	1	0K50-US067-0000	Seat Pad
3	1	0K50-US068-0000	12" Rectangular Pad
4	1	0K50-US069-0000	Standard 24" Pad
6	12	0017-00101-1411	3/8 -16X24 UNS HEX BLT G5 ZN
7	4	0017-00101-1422	3/8 X 3 Bolt
8	16	0017-00104-0377	3/8" Internal Lock Washer

HAMMER STRENGTH EQUIPMENT

MTRR – Leg Pads



ITEM NO.	QTY.	PART NO.	DESCRIPTION
1	1	MTRR-A0000	MTRR Top Assembly
5	3	OK50-US070-0000	Standard 8" Pad
6	12	0017-00101-1411	3/8 -16X24 UNS HEX BLT G5 ZN
7	4	0017-00101-1422	3/8 X 3 Bolt
8	16	0017-00104-0377	3/8" Internal Lock Washer