

# 525C UPRIGHT BIKE

525C-LED-01

## Parts Manual

3/28/2018 8:04:44 AM

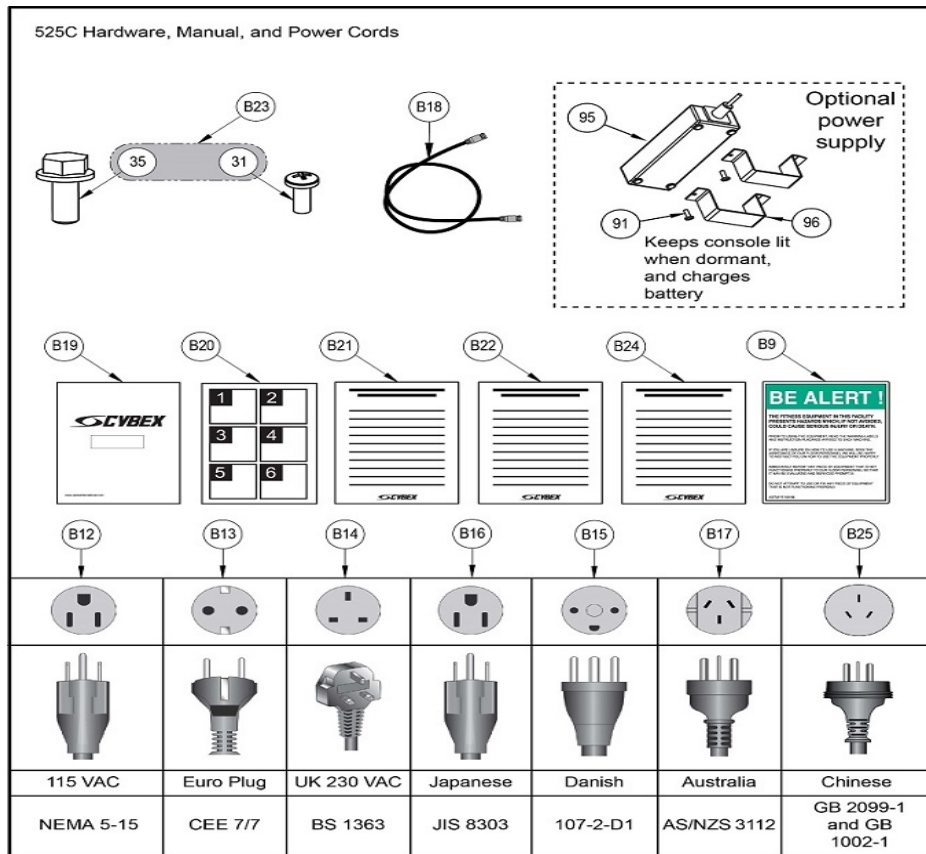


**Table of Contents**

---

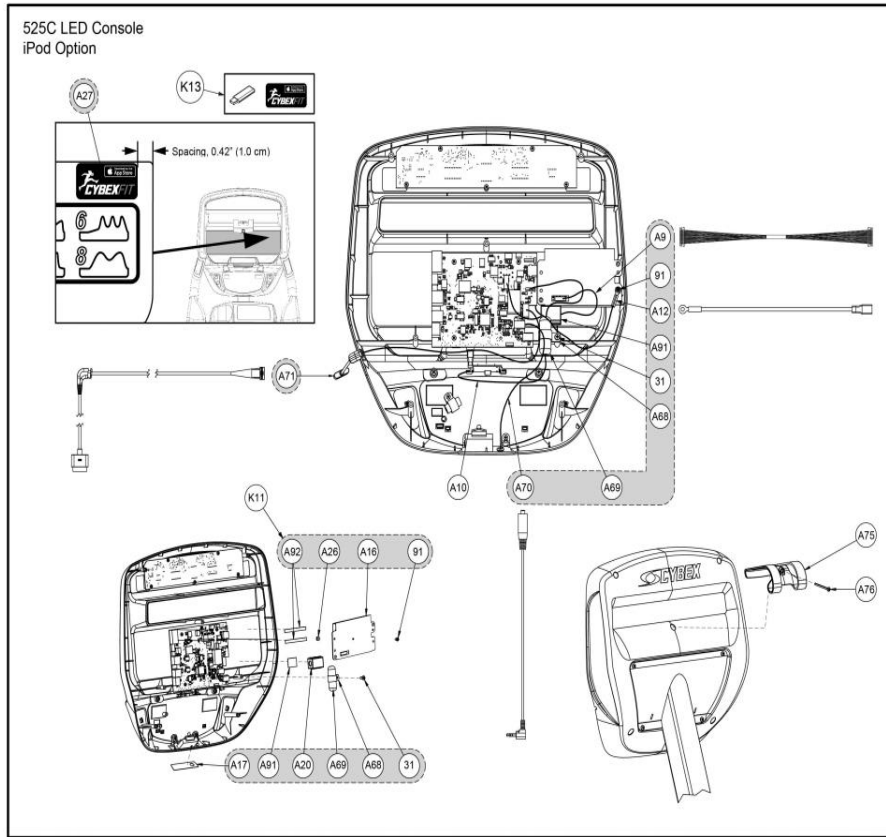
<a href="#">525C hardware manual and power cords.....</a>	<a href="#">3</a>
<a href="#">525C Console iPod Option.....</a>	<a href="#">4</a>
<a href="#">525C Console Cables.....</a>	<a href="#">5</a>
<a href="#">525C Console LED.....</a>	<a href="#">6</a>
<a href="#">525C Covers and lower electronics Before K0222.....</a>	<a href="#">8</a>
<a href="#">525C Crank and pedals.....</a>	<a href="#">10</a>
<a href="#">525C Frame seat handlebars.....</a>	<a href="#">11</a>
<a href="#">525C Wireless Audio Option.....</a>	<a href="#">13</a>

### 525C\_hardware\_manual\_and\_power\_cords



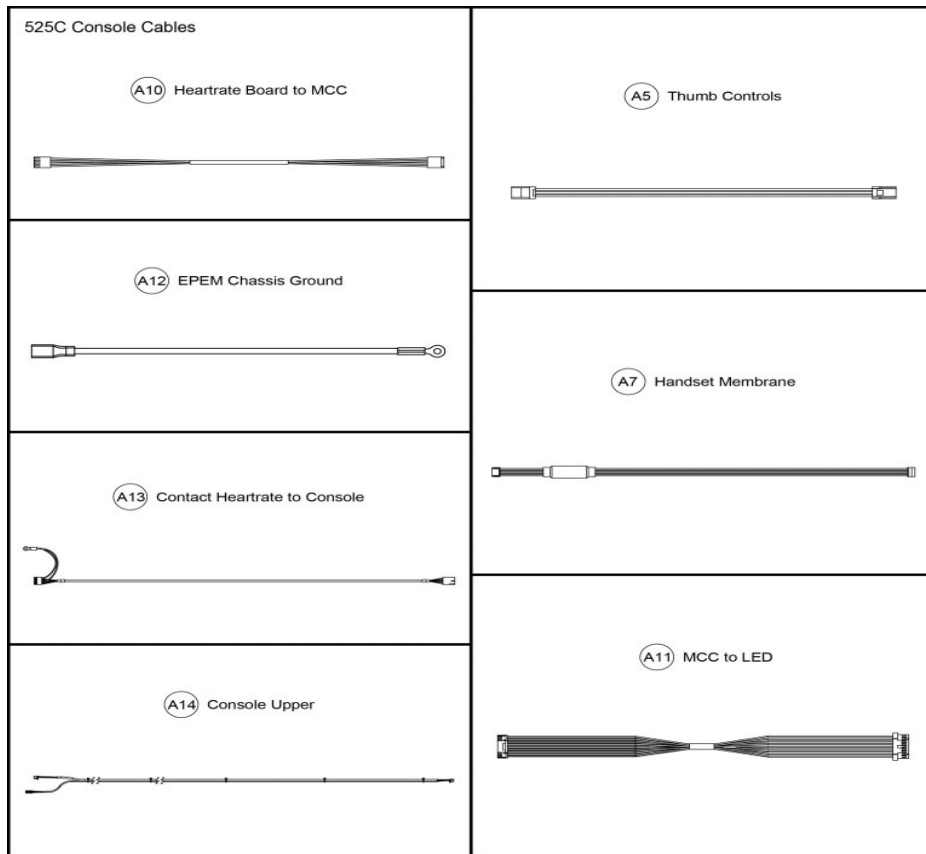
Ref #	Part Number	Qty	Description
B9	LT-03051	1	SIGN FACILITY SAFETY
B12	<a href="#">AW-14007</a>	1	POWER CORD,115V,60HZ PWR SUPPLY IEC320 (SJT)
B13	<a href="#">WR-14012</a>	1	POWER CORD,230V,10A,CEE 7-7,2M
B14	<a href="#">AW-20193</a>	1	POWER CORD,250VAC 10A,2.5M IEC
B15	<a href="#">AW-22229</a>	1	POWER CORD,10A,250V IEC 60320
B16	<a href="#">AW-20192</a>	1	POWER CORD,100V,50HZ,2.5M IEC-
B17	AW-24058	1	POWERCORD,250V 10A AUS/NZ
B18	<a href="#">AW-23836</a>	1	CABLE,6' COAX F-TYPE M-M
B19	LT-24303	1	Owner Manual 525CR
B20	LT-24300	1	POSTER,ASSY,525C
B21	LT-24291	1	
B22	LT-24292	1	
B23	AX-21698	1	KIT,INSTALL HARDWARE,750C
B24	LT-24293	1	
B25	<a href="#">AW-25665</a>	1	POWER CORD,10A/250V,2.5m,CHINE
31	<a href="#">HS-15706</a>	1	SCREW,8-16X.50,PNHD,STL,BLK ZN CLR,TYP WB
35	<a href="#">HS-19108</a>	1	SCREW 5-16-18X3-4LG,HXHD,WHIZ-
91	HS-14391	2	SCREW SEMS,6-32X.38 PNHD PHIL
95	<a href="#">TR-23830</a>	1	POWER SUPPLY,100-240VAC 24VDC,
96	<a href="#">FS-21372</a>	2	STRAP,AV PW SUPPLY,750C

# 525C\_Console\_iPod\_Option



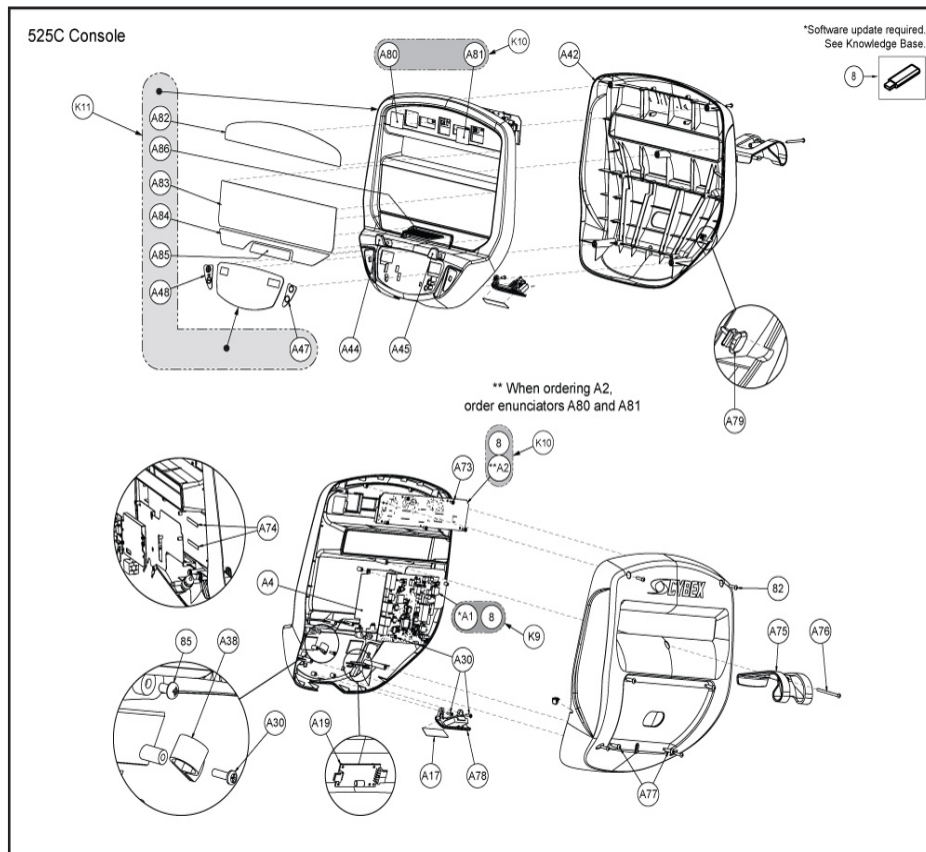
Ref #	Part Number	Qty	Description
A9	AW-23300	1	CABLE,770ACR,GFX BRD TO MCC
A10	AW-23350	1	CABLE,HR BRD TO MCC,625ACR 770
K11	PKCP-24885	1	KIT,APPLE UPGRADE,525TCR
A12	AW-23500	1	CABLE,EPEM CHASSIS GROUND
K13	PKCP-24966	1	KIT,CYBEX FIT DECAL
A16	AX-24137	1	ASSY,IPOD PCA,525 625
A17	DE-23682	1	DECAL,HEADPHONE JACK,525ACR
A20	EC-15004	1	FERRITE CLAMP-ON .40 ID
A26	HN-10705	1	KEPS 6-32 HEX STL ZINC
A27	DE-24397	1	DECAL,CYBEX FIT
31	HS-15706	1	SCREW,8-16X.50,PNHD,STL,BLK ZN CLR,TYP WB
A68	HX-24312	1	CLIP,CABLE CLAMP,3-4"DIA
A69	EC-23488	1	FERRITE,CLAMP ON,407 OHM 100MH
A70	AW-23862	1	CABLE HEADPHONE JACK JUMPER
A71	OAW-23863V	1	CABLE, IPOD, 525, PURCHASED
A75	PL-24065	1	CLIP,IPOD
A76	HS-20361	1	SCREW SLFTP 8-16X2-1/2in PLAST
91	HS-14391	1	SCREW SEMS,6-32X.38 PNHD PHIL
A91	HX-17788	1	TAPE,DBL SIDED, .032THK
A92	HX-24141	2	TAPE,DBL SIDED,VHB, .25X 2.50

## 525C\_Console\_Cables



Ref #	Part Number	Qty	Description
A5	770A-365	1	CABLE,THUMB CONTROLS
A7	AW-23297	1	CABLE,HANDSET MEMBRANE,770 625
A10	AW-23350	1	CABLE,HR BRD TO MCC,625ACR 770
A11	AW-23393	1	CABLE,MCC TO LED,625 770ACR
A12	AW-23500	1	CABLE,EPEM CHASSIS GROUND
A13	AW-23754	1	CABLE,CHR CONSOLE,625CR 770CR
A14	AW-23756	1	CABLE,CONSOLE,625C 770C

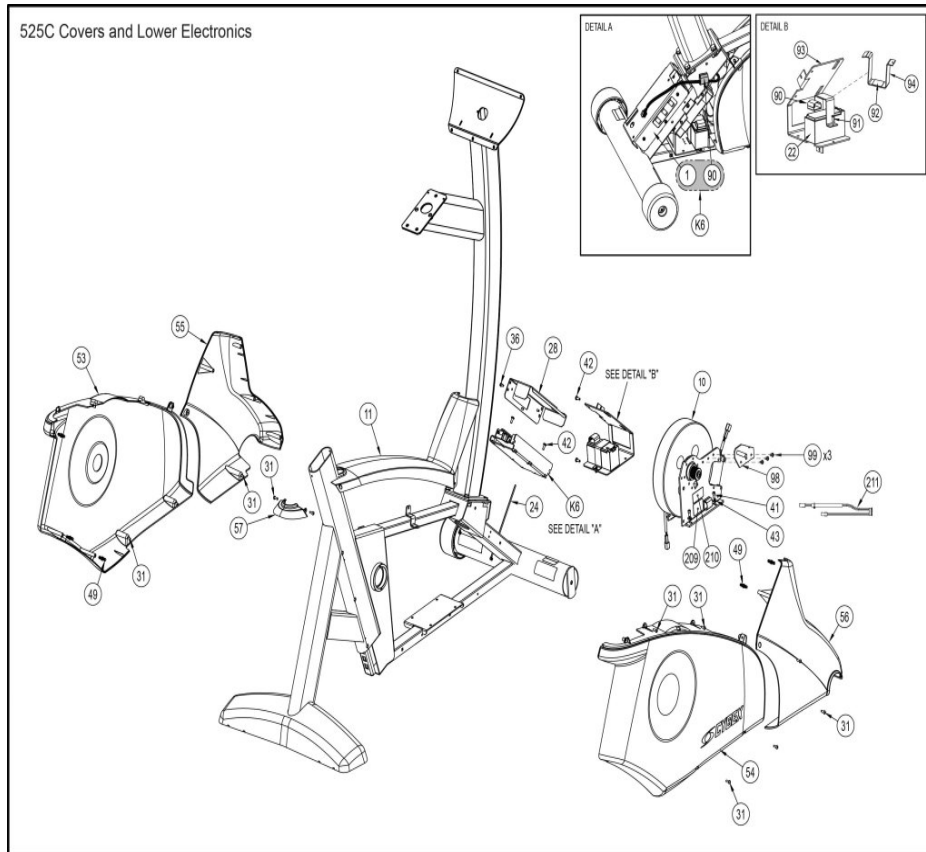
### 525C\_Console\_LED



Ref #	Part Number	Qty	Description
A1	525AT-407	1	PCA, MCC, UNPROGRAMMED, IPOD, 525AT, C, R
A2	AD-23510	1	NC PCA,LED UPPER DISPLAY,525
A4	AF-24475	1	PLATE,GROUNDING,MCC,525
K8	CP-23199	1	USB 2.0 FLASH DRIVE,BLANK for kit PKCP-23201
K9	PKAD-24627	1	KIT,MCC REPLACEMENT 525C/R
K10	KAD-24623	1	Kit 525CR Disp Bd w/Enu
K11	KPL-24622	1	Kit 525CR LED Bzl w/dec
A17	DE-23682	1	DECAL,HEADPHONE JACK,525ACR
A19	EC-23422	1	SENSOR,COMBO HR BRD 625CR 770A
A30	HS-18320	2	SCREW,6-19X1-2 in,PNHD PHIL,ZN
A38	HX-23491	1	CLIP,CABLE CLAMP,9-16in DIA,NY
A42	PL-23644	1	CONSOLE BACK,LED,525
A44	PL-23362	1	BOOK TAB,LEFT
A45	PL-23363	1	BOOK TAB,RIGHT
A47	SW-23347	1	MEMBRANE,THUMB CONTROL,RESISTA
A48	SW-23713	1	MEMBRANE,THUMB CONTROL,LEFT,RE
A73	HS-23922	1	SCREW,#6-19X5/16 PLASTITE, PHI
A74	HX-24141	2	TAPE,DBL SIDED,VHB, .25X 2.50
A75	PL-24065	1	CLIP,IPAD
A76	HS-20361	1	SCREW SLFTP 8-16X2-1/2in PLAST
A77	HS-22816	2	SCREW,10-14 X .75,PLASTITE,STL
A78	PL-23646	1	E-STOP HOUSING,525T

Ref #	Part Number	Qty	Description
A79	PL-23928	1	PLUG, MOUSE HOLE, RIGHT 525 CONS
A80	DE-23629	1	Decal Mask Left 525
A81	DE-24145	1	Decal Mask Display
82	HS-18311	4	SCREW, 8-16X.75, PNHD PHIL, STL, B
A82	DE-23628	1	DECAL, UPPER DISPLAY, 525
A83	DE-24147-4	1	LABEL, CONSOLE CENTER, 525CR, ENG
A84	DE-23920	1	LABEL, BLANK, MAIN, 525CR AT
A85	DE-23921	1	LABEL, BLANK, CENTER, 525CR AT
85	HS-41187	1	SCREW SLFTP, 8-16X.3125, PLASTITE
A86	DE-23998	1	DECAL, IPOD TRAY

# 525C\_Covers\_and\_lower\_electronics\_Before\_K02 22

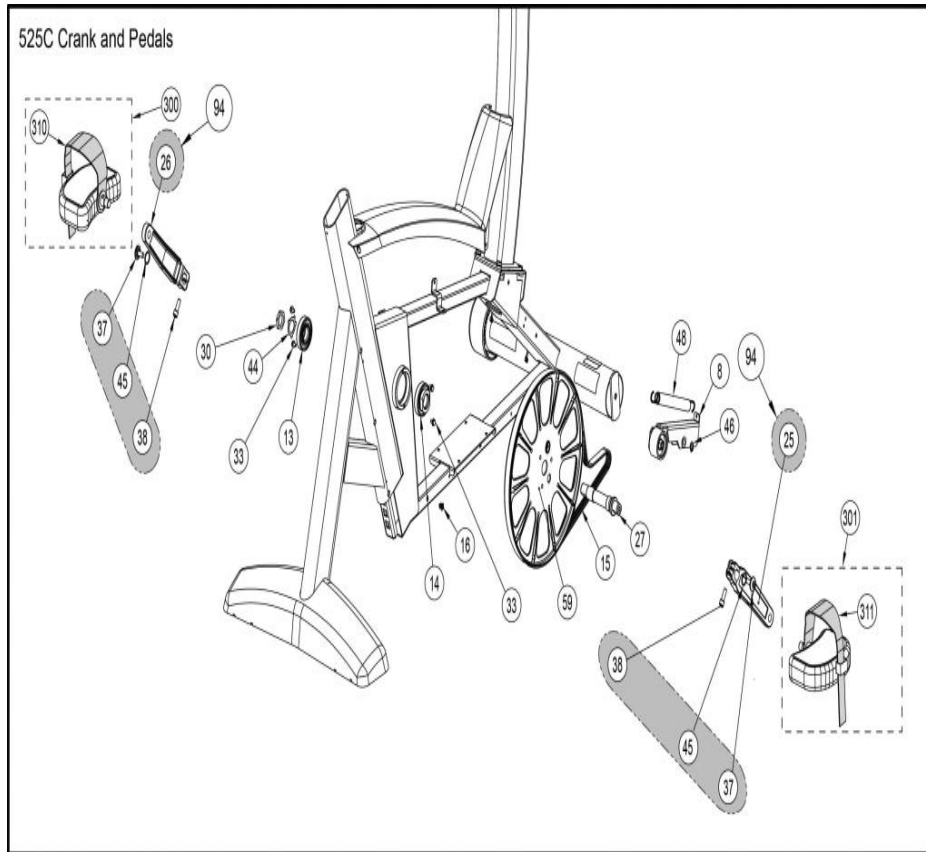


Ref #	Part Number	Qty	Description
1	<b>AD-21280</b>	1	PCA,LOWER CONTROLLER,625CR 770CR
K6	<b>PKAD-24243</b>	1	KIT,LCB,CYCLES,525 625 770CR
10	<b>PKAX-23376</b>	1	KIT,BRAKE SHIELD IDLER,750C-R
11	<b>AX-21693</b>	1	ASSY,PLASTIC TOP,750C
22	<b>EC-21351</b>	1	BATTERY,12V/1.2AHR,750C 750R
24	EH-00986	1	TY WRAP,T B TYB-25M 9 in
28	<b>FS-21599</b>	1	COVER,LOWER CONTROLLER,750C 75
31	<b>HS-15706</b>	7	SCREW,8-16X.50,PNHD,STL,BLK ZN CLR,TYP WB
36	HS-11977	1	SCREW SEMS,8-32X.38,PNHD PHIL,EXT,STL,BLK ZN
41	HS-21612	4	SCREW,10-32X7-16,SCHD CAP,SS
42	<b>HS-41006</b>	4	SCREW SLFTP,10-24X.5,PNHD PHIL,410SS,HRDBO,WAX,TT
43	<b>HW-00123</b>	1	WSHR SAE NO.10 STL ZINC
49	<b>HX-21519</b>	5	PIN,PLASTIC RETAINIER
53	<b>PL-21579</b>	1	SHROUD,LEFT REAR,750C
54	<b>PL-21580</b>	1	SHROUD,RIGHT REAR,750C
55	<b>PL-21581</b>	1	SHROUD,LEFT FRONT,750C
56	<b>AX-21854</b>	1	ASSY,SHROUD,RIGHT FRONT,750C
57	<b>PL-21584</b>	1	CAP,TOP REAR,750C
90	HX-14416	1	CLIP,WIRE LATCHING,1X1
91	HS-14391	1	SCREW SEMS,6-32X.38 PNHD PHIL



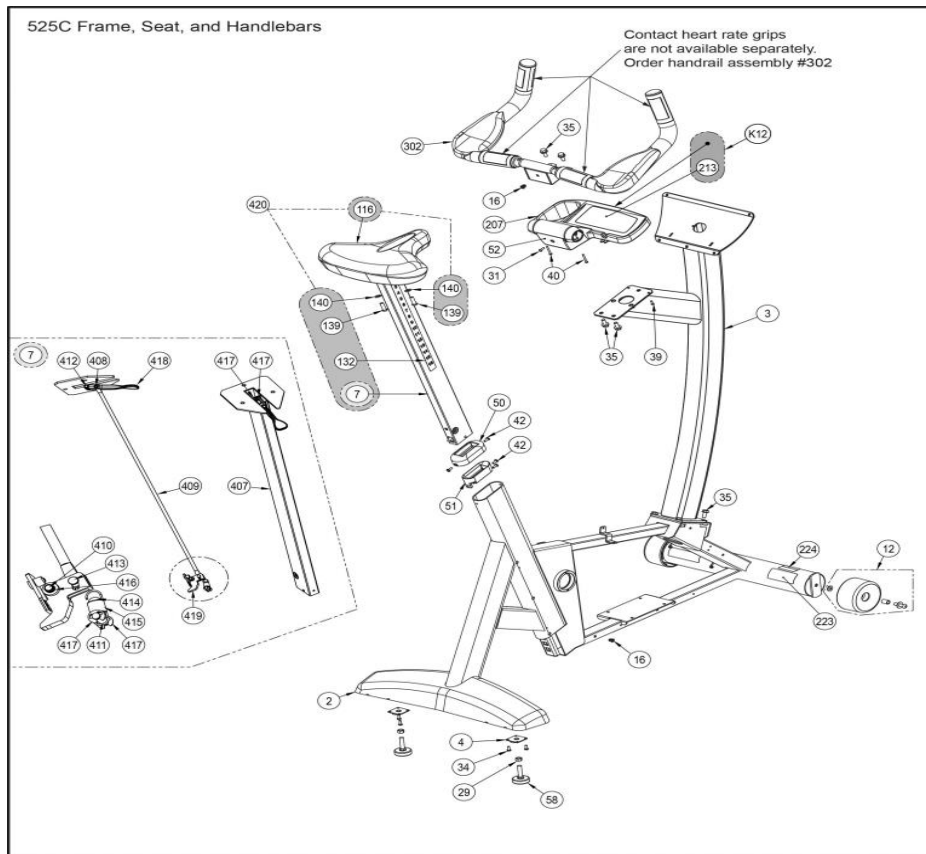
Ref #	Part Number	Qty	Description
92	HX-17788	1	TAPE,DBL SIDED, .032THK
93	AF-21370	1	BRKT,BATTERY-LOWER CONTOLLER,7
94	FS-21371	1	STRAP,BATTERY,750C
98	AF-21413	1	WELDMENT,IDLER ARM,SUPPORT,525
99	HS-21443	3	SCREW, 10-24 X 3/8 PNHD PHIL,T
209	DE-18362	1	Decal Caution Moving Prts
210	DE-18363	1	Label,Warning Hot Flywhl
211	AW-23973	1	CABLE,625C 770C BRK GEN JUMPER

## 525C\_Crank\_and\_pedals



Ref #	Part Number	Qty	Description
8	AX-21327	1	ASSY, IDLER ARM, 750C 750R
13	AX-62023	1	ASSY, LEFT CRANK BEARING
14	AX-62031	1	ASSY, RIGHT CRANK BEARING
15	BD-21366	1	BELT, POLY-V, 480J8(1222 PJ8)
16	HX-20360	1	INSERT, EXPANSION, PLASTIC, #8-#1
25	FM-19470	1	CRANK, 530C R, 750C R, RIGHT ARM
26	FM-19471	1	CRANK, 530C R, 750C R, LEFT ARM
27	FM-19472	1	SHAFT, 530C R, 750C R, CRANK
30	HN-41157	1	NUT, 7-8-24, LH, 86A, ZN
33	HS-18294	4	SCREW, SEMS, 10-32X.38, SLOT HXHD
37	HS-19467	2	BOLT, M8X1X20, SCHD BTN, BRIGHT C
38	HS-19468	2	BOLT, M8X1X22, SCHD CAP, BRIGHT C
44	HW-18176	1	WASHER, CRANK KEY
45	HW-19469	2	WSHR, FLAT 17.2 X 21.5 X .75, ST
46	HX-19529	1	GRIP RING RETAINING 3/8 in 555
48	HX-21374	1	SPRING, EXTENSION, .75 X .093 X
59	PW-20877	1	PULLEY, PRIMARY, ALUM.
94	AX-17959	2	CRANK ASSY, 530C, R
300	AX-21382	1	PEDAL 9/16in THREAD LEFT
301	AX-21383	1	PEDAL 9/16in THREAD RIGHT
310	KHX-23401	1	PEDAL STRAP LEFT, 750C 750R
311	KHX-23402	1	PEDAL STRAP RIGHT, 750C 750R

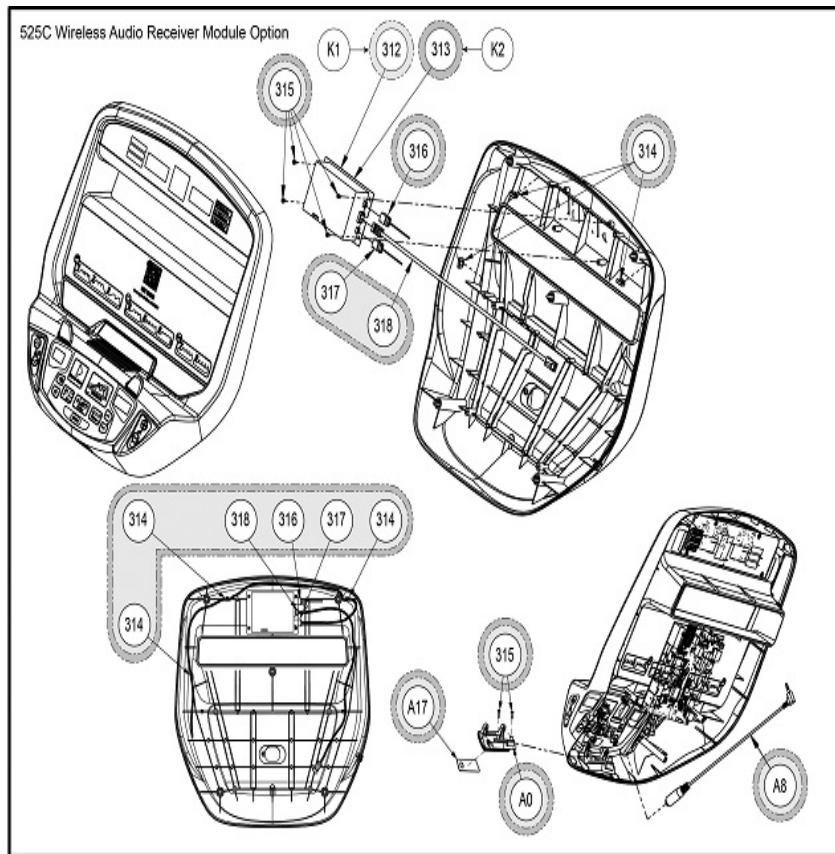
# 525C\_Frame\_seat\_handlebars



Ref #	Part Number	Qty	Description
2	AF-21135	1	WELDMNT,FRAME,UPRIGHT,750C Custom
3	AF-24223	1	WELDMNT,CONSOLE SUPPORT,525C
4	AF-21506	2	WELDMNT,LEVELER WELDNUT,750C
7	AX-22166	1	ASSY,SEAT POST W-O SEAT
K12	PKAX-24908	1	
12	AX-21732	2	ASSY,WHEEL,750C 750R
16	HX-20360	1	INSERT,EXPANSION,PLASTIC,#8-#1
29	HN-00199	2	NUT 3-8-16 HEX STL ZINC
31	HS-15706	1	SCREW,8-16X.50,PNHD,STL,BLK ZN CLR,TYP WB
34	HS-18497	4	SCREW,10-32X .50,PNHD PHIL,BLK
35	HS-19108	8	SCREW 5-16-18X3-4LG,HXHD,WHIZ-
39	HS-21600	1	SCREW,#6-1/2" PNHD PHIL PLASTI
40	HS-21601	2	SCREW,#6-1 1/4" PNHD PHIL PLAS
42	HS-41006	4	SCREW SLFTP,10-24X.5,PNHD PHIL,410SS,HRDBO,WAX,TT
50	PL-17965	1	GUIDE,SEAT POST,UPPER
51	PL-17966	1	GUIDE,SEAT POST,LOWER
52	PL-21529	1	ACCESSORY TRAY,BOTTOM,750C
58	HX-22203	2	LEVELER,3/8-16 X 1 1/2 STUD W/
116	PD-18232G	1	SEAT BOTTOM,750C GRAY
132	DE-20713	1	LABEL,SEAT POST,530C
139	HS-18298	2	BOLT,5-16-18X .88,BTHD CAP,SS,

Ref #	Part Number	Qty	Description
140	HW-53018	2	WASHER 5-16 SPLIT SS,BLK
213	DE-23739	1	LABEL,WARNING,ACCESS TRAY,625C- Custom
223	DE-21749	1	Decal, Disconnect PWR
224	DE-21763	1	*DECAL,ETL CSA,MEDWAY,750C 750
302	AX-21406	1	ASSY,HANDRAIL,750C
407	AX-21297	1	WELD,SEATPOST,750C BZ
408	FM-21391	1	PIN,DOWEL 3-16 X 3-4
409	FM-21407	1	ROD,LEVER,SEATPOST
410	FM-21490	1	PIN,CLEVIS, SEAT POST PAWL
411	FM-21491	1	PIN,SEAT POST SPRING
412	FM-21492	1	PIN,SEAT POST LEVER
413	FM-21502	1	PIN,CLEVIS,PAWL TO ROD
414	HX-21298	1	PLUG,SPRING,RATCHETING SEATPOS
415	HX-21303	1	SPRING,EXTENSION,.5 X .049 X 1
416	HX-21493	1	RETAINING RING,BASIC .6MM EXTE
417	HX-21494	2	RETAINING RING,E-TYPE .250 EXT
418	PL-21302	1	LEVER,RATCHETING SEATPOST
419	RC-21299	1	PAWL,SEATPOST
420	AX-21296	1	ASSY,SEAT POST

**525C\_Wireless\_Audio\_Option**



Ref #	Part Number	Qty	Description
A0	AD-23332	1	PCA,EARPHONE,USB
K1	KU-24320	1	UPGRADE KIT,800MHZ 525TCR,MYE
K2	KU-24321	1	UPGRADE KIT,900MHZ 525TCR,MYE
A8	AW-23862	1	CABLE HEADPHONE JACK JUMPER
A17	DE-23682	1	DECAL,HEADPHONE JACK,525ACR
312	AD-22845	1	MODULE,RF 800MHZ FM EU
313	AD-22844	1	NLA: MODULE,RF 900MHZ FM US
314	HX-23219	3	CLIP,TRIM,SINGLE-SIDED
315	HS-10405	6	SCREW,4-40X.25,PNHD PHIL
316	AW-23035	1	ANTENNA,900MHZ DIPOLE
317	AW-23036	1	ANTENNA,FM RADIO
318	AW-23501	1	CABLE,CAT5E 18in

