

Prestige Leg Press

21040-10

Parts Manual

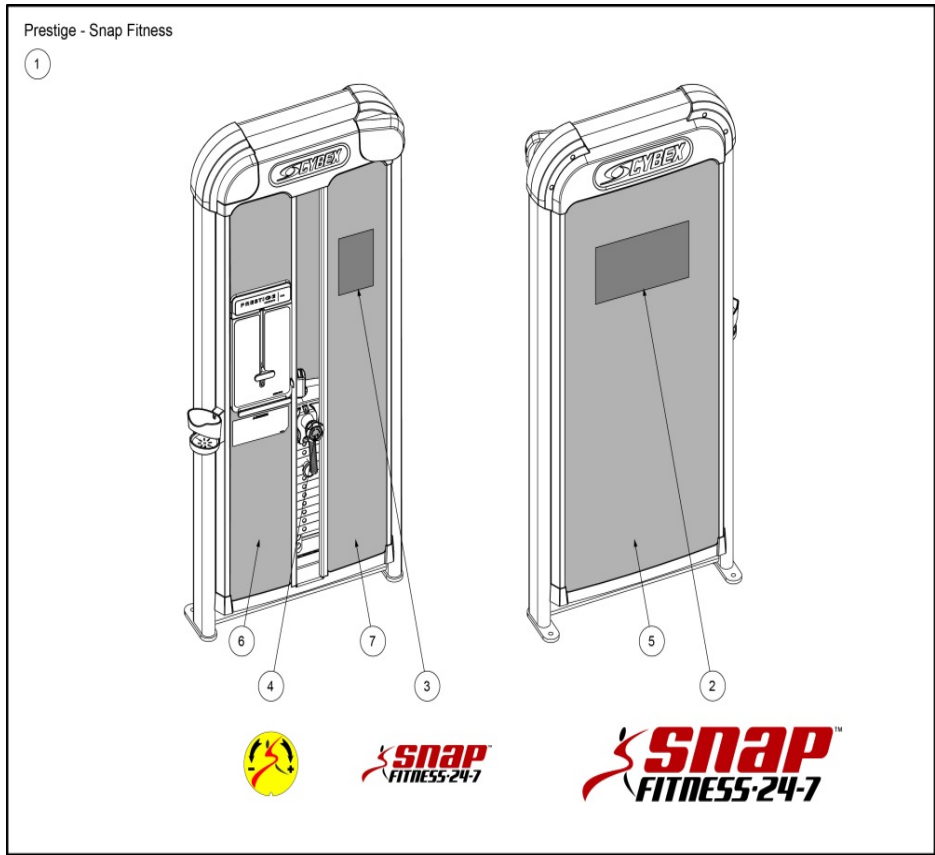
5/22/2021 9:29:58 AM



Table of Contents

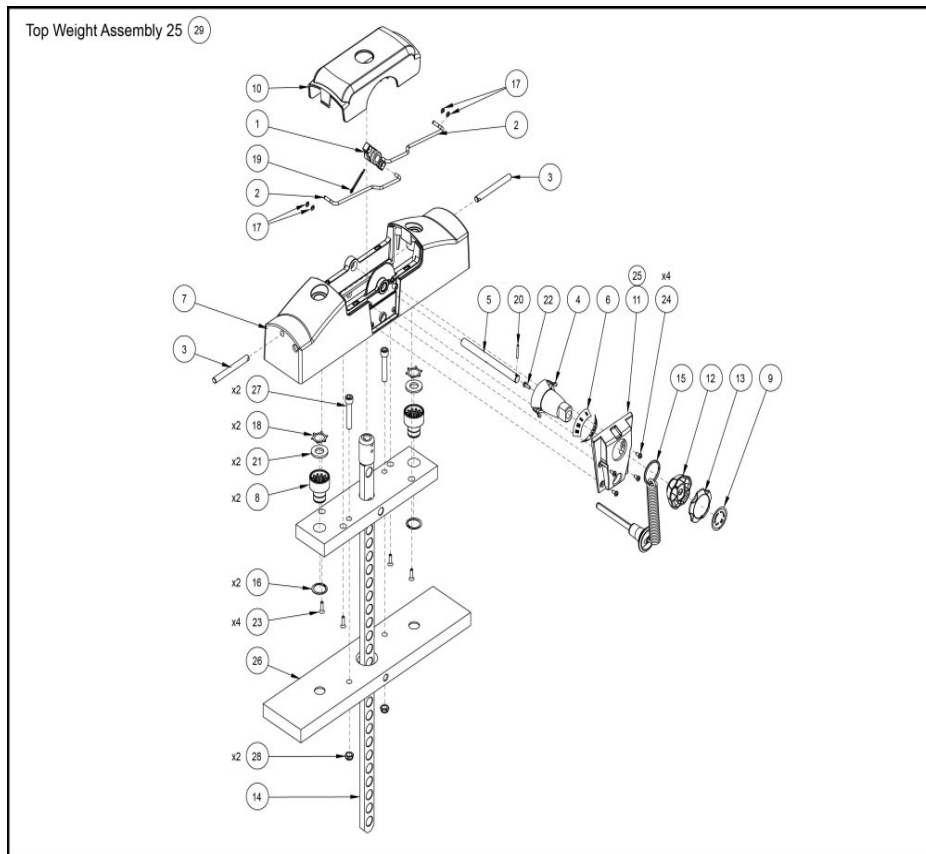
Prestige - Snap Fitness	3
Top Weight Assembly 25	4
21040 Belt Routing	6
21040 Footplate Pivot Assembly	7
21040 Frame Assembly	8
21040 Panel Assembly	10
21040 Pulley Assembly	12
21040 Seat Assembly	13
21040 Seat Frame Assembly	15
21040 Spring Assembly Detail	16
21040 Top Plastic Detail	17
21040 Weight Stack Detail	18

Prestige - Snap Fitness



Ref #	Part Number	Qty	Description
1	21010-025OS	1	SNAP PANEL INSERT ASSEMBLY
2	21000-409	1	DECAL, SNAP FITNESS 14.00
3	21000-408	1	DECAL, SNAP FITNESS 6.00
4	12000-424	1	Decal Snap Fitness Rotation
5	21000-440ON	1	BACK PANEL
6	21000-441ON	1	FRONT PANEL (MEDIA CENTER)
7	21000-442ON	1	FRONT PANEL

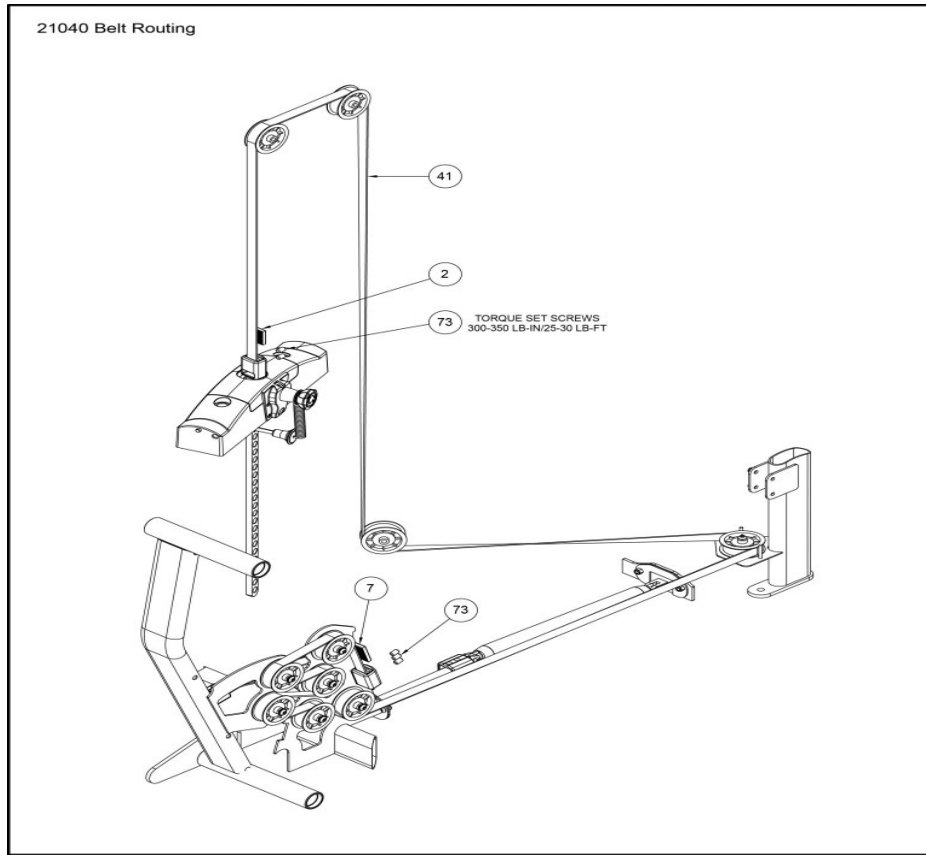
Top_Weight_Assembly_25



Ref #	Part Number	Qty	Description
1	11040-301	1	INSERT CLAMP BLOCK
2	11040-367	1	HUB MOLDED
3	11040-369	2	ROD LINKAGE
4	11040-370	2	PIN
5	11040-416	1	COVER TOP WEIGHT
6	11040-424	1	COVER PLATE
7	11040-426	1	STEM
8	11040-427	1	ROD
9	11040-428	1	DECAL ADJUSTMENT
10	11050-366	1	TOP WT ASSY, MOLDED
11	13000-364	2	BEARING FLNG .62 ID X .92 OD X 1.75 LG
12	20000-429	1	ROTATION DECAL
13	20000-476	1	KNOB, BASE
14	20000-477	1	KNOB
15	21000-234	1	C LIFTING POST 25
16	BH030207	1	PIN WEIGHT SELECTOR
17	BR030206	2	RETAINING RING
18	BR030209	4	RETAINING RING .188
19	BR030220	2	RETAINING RING 1.250 INTERNAL
20	HP016820	1	COTTER PIN .125 X 1.25
21	HP266765	1	ROLL PIN .125 X .938
22	HS720004	2	WASHER FELT .641 ID X 1.250 OD X .125 T

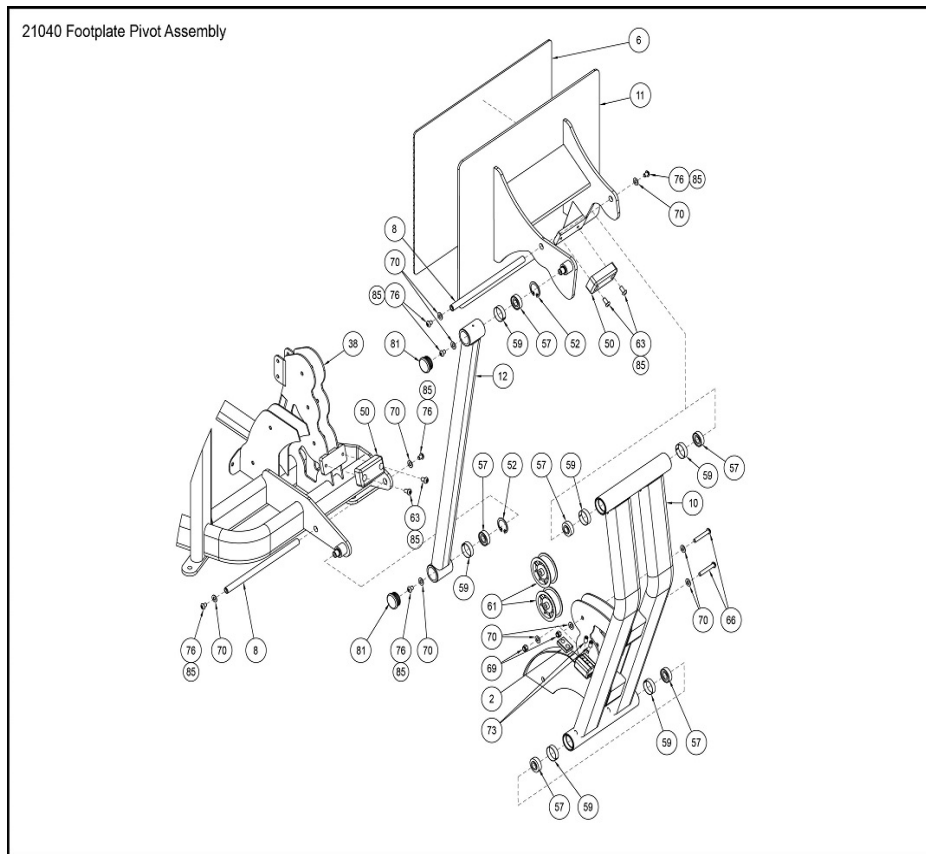
Ref #	Part Number	Qty	Description
23	HT552512	1	TAP SC NO. 8-16 X .50 PLASTITE PAN HEAD PHILLIPS BLACK
24	HT562715	4	TAP SC NO 10 X .750 F PHIL
25	HT582510	4	TAP SC NO 10 X .375 PN HD PHIL
26	HY740000	2	SET SCREW
27	YG000002	1	NLA: Please use Lithium Grease
28	21000-014	1	TOP WEIGHT ASSY 25

21040 Belt Routing



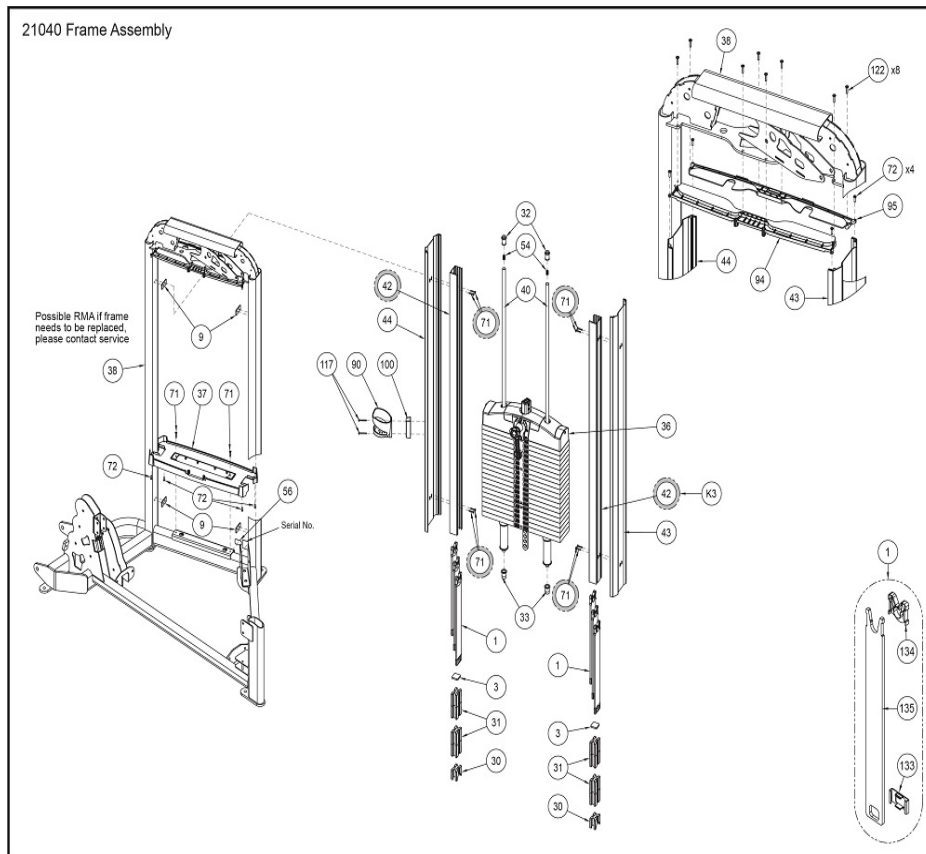
Ref #	Part Number	Qty	Description
2	11040-301	1	INSERT CLAMP BLOCK
7	11040-568	1	CLAMP BLOCK INSERT
41	21040-362	1	BELT
73	HY740000	3	SET SCREW

21040 Footplate Pivot Assembly



Ref #	Part Number	Qty	Description
2	11040-301	1	INSERT CLAMP BLOCK
6	11040-562	1	NON-SLIP 18.50 X 24.50
8	11090-369	2	SHAFT PIVOT
10	12040-201	1	W PIVOT Custom
11	12040-202	1	W FOOT PLATE Custom
12	12040-203	1	W LINK Custom
38	21040-200	1	W/ FRAME Custom
50	5220-305	2	BUMPER 2.00 X 4.00
52	BR030226	2	RETAINING RING 1.653 INTERNAL
57	FB030232	4	BRG RADIAL 17MM ID EXT RACE
59	FC030006	6	TOLERANCE RING 1.575 ID
61	GP000209	2	PULLEY ASSEMBLY-3.50
63	HC700415	2	BHSCS .375-16 X .75
66	HC700430	2	BHSCS .375-16 X 2.50
69	HN704901	2	LOCKNUT .375-16 NYLON
70	HS347600	10	WASHER SAE .375
73	HY740000	2	SET SCREW
76	JC700412	6	BHSCS .375-16 X .50
81	PP090208	2	INSERT PLASTIC 1.75 DIA-RIB
85	YA000201	1	ADH THRD LKR REM .02 OZ 242

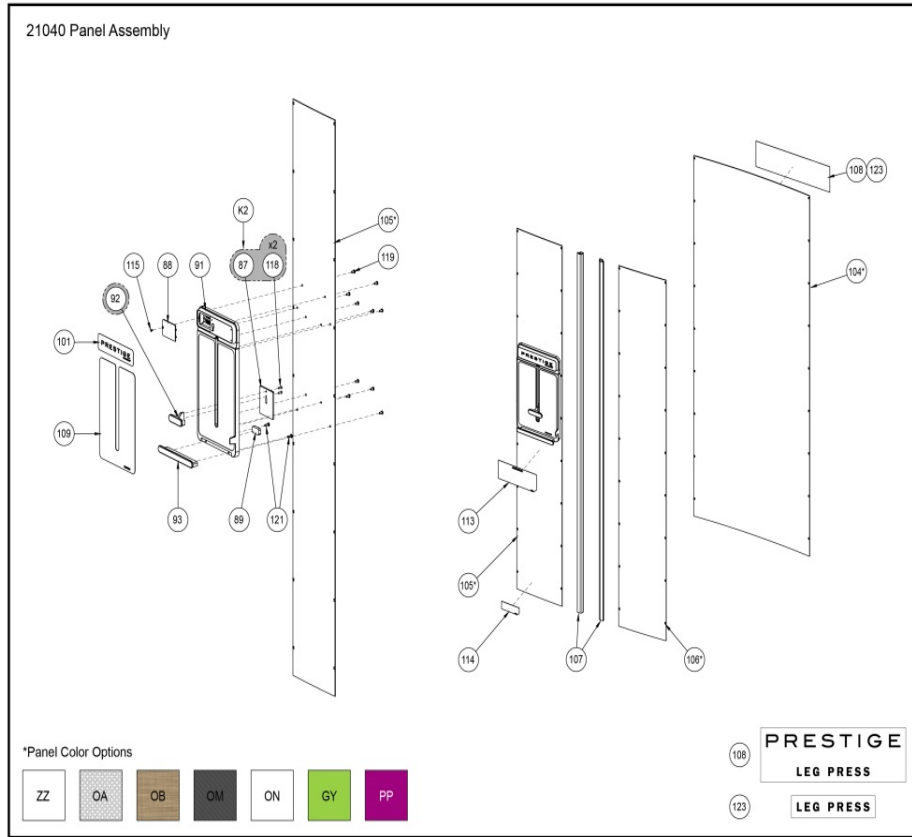
21040 Frame Assembly



Ref #	Part Number	Qty	Description
1,135	11040-030	12	INCREMENT WEIGHT S/A
3	11040-409	2	BUMPER
K3	21040K002	1	KIT, TALL INCR WT CHANNEL REPLACEMENT (PRESTIGE)
9	12000-398	2	SPACER
30	12102-330	2	INSERT INCREMENT WEIGHT
31	12102-331	4	INSERT INCREMENT WEIGHT
32	12210-347	2	CAP GUIDE ROD
33	12210-348	2	CAP GUIDE ROD
36	21000-014	1	TOP WEIGHT ASSY 25
37	21000-463	1	BOTTOM TRAY (LEG PRESS)
38	21040-200	1	W/ FRAME Custom
40	21040-336	2	WT ROD .625 DIA X 59.72
42	21040-580	2	EXTRUSION, INC WT CHANNEL
43	21040-471	1	EXTRUSION, OUTER CHANNEL
44	21040-474	1	EXTRUSION, OUTER CHANNEL (LH HOLES)
54	BS070208	2	COMP SPRING .396 ID X .480 OD X 1.50 LG
56	CM000211	1	DECAL PATENT
71	HT512517	2	TAP SC 10-24 X 1.00 TYPE WB PN HD PHIL BLK
72	HT542514	4	TAP SC NO 8-32 X .625 A PHIL
90	20000-650	1	HOLDER, WATER BOTTLE
94	21000-451	1	MOUNT, FRONT

Ref #	Part Number	Qty	Description
95	21000-452	1	MOUNT, BACK
100	21000-465	1	SPACER
117	HT512522	2	TAP SC 10-24 X 1.50 TYPE WB PN
122	HT552515	8	TAP SC NO. 8-16 X .75 PLASTITE PN HD PHIL BLK
133	11040-572	6	GUARD INCREMENT WEIGHT
134	11040-578	6	GUARD, INCREMENT WEIGHT
-	CM000202	1	DECAL, SERIAL NUMBER

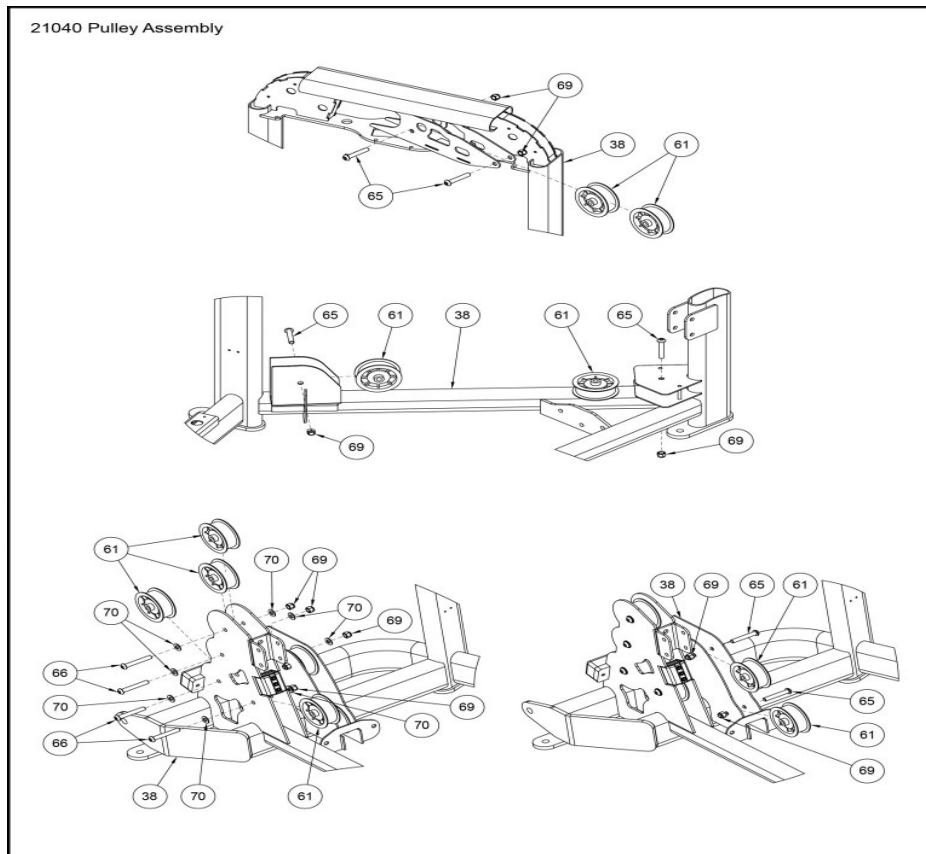
21040 Panel Assembly



Ref #	Part Number	Qty	Description
K2	20000K007	1	KIT, CLAMP BAR REPLACEMENT
87	20000-483	1	WEIGHT PLATE
88	20000-524	1	COVER PLATE
89	20000-560	1	BUMPER
91	20000-652	1	PANEL, PLACARD
92	20000-662	1	CLAMP BAR
93	20000-655	1	BOTTOM TAB
101	21000-556	1	MEDIA CENTER DECAL
104	21040-440ZZ	1	BACK PANEL
104	21040-440OM	1	BACK PANEL MORACO
104	21040-440OA	1	BACK PANEL ASPEN
104	21040-440GY	1	BACK PANEL, YOUFIT GREEN
104	21040-440OB	1	BACK PANEL BALI
104	21040-440ON	1	BACK PANEL
104	21040-440PP	1	BACK PANEL, PLANET FITNESS PURPLE
105	21040-441ZZ	1	FRONT PANEL (MEDIA CENTER)
105	21040-441OM	1	FRONT PANEL (MEDIA CENTER) MONACO
105	21040-441ON	1	FRONT PANEL (MEDIA CENTER)
105	21040-441PP	1	FRONT PANEL (MEDIA CENTER), PLANET FITNESS PURPLE
105	21040-441OA	1	FRONT PANEL (MEDIA CENTER) ASPEN
105	21040-441OB	1	FRONT PANEL (MEDIA CENTER) BALI

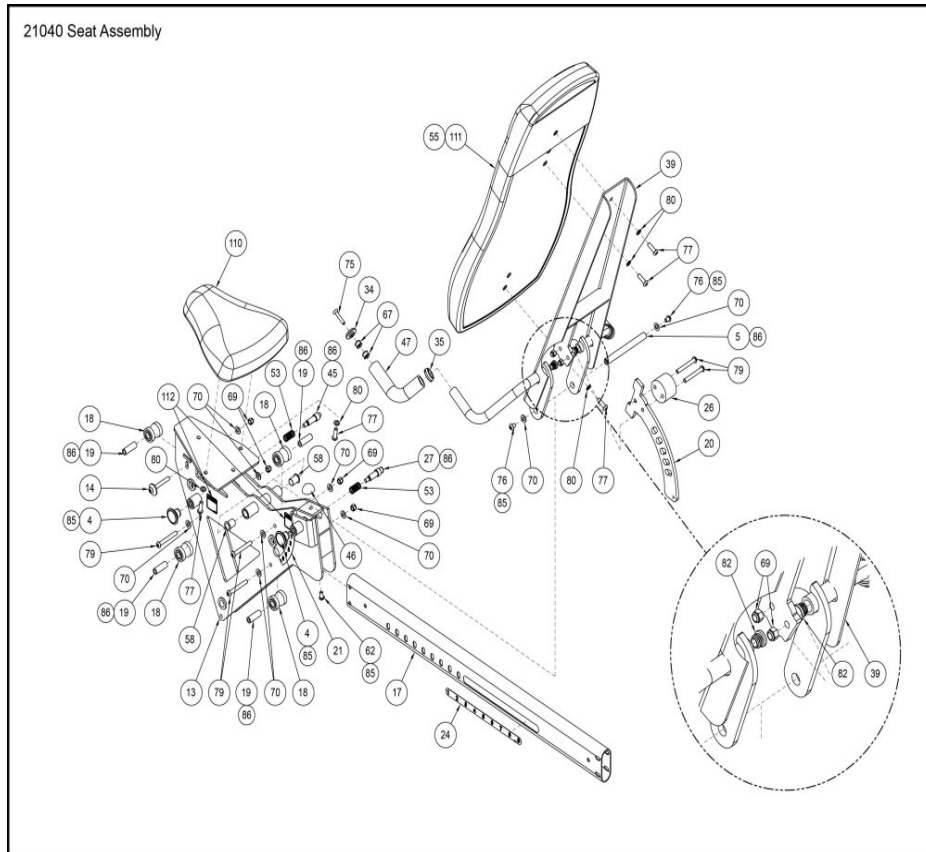
Ref #	Part Number	Qty	Description
105	21040-441GY	1	FRONT PANEL (MEDIA CENTER), YOUFIT GREEN
106	21040-442GY	1	FRONT PANEL, YOUFIT GREEN
106	21040-442OB	1	FRONT PANEL, BALI
106	21040-442ON	1	FRONT PANEL
106	21040-442PP	1	FRONT PANEL, PLANET FITNESS PURPLE
106	21040-442ZZ	1	FRONT PANEL
106	21040-442OM	1	FRONT PANEL, MONACO
106	21040-442OA	1	FRONT PANEL, ASPEN
107	21040-472	1	EXTRUDED GUARD
108	21040-701	1	DECAL, LEG PRESS
108	21040-700	1	DECAL, LEG PRESS
109	21040-598	1	Placard Prestige LPress Custom
113	DE000023	1	Decal Warning Custom
114	DE000025	1	NLA: DECAL, MADE IN U.S.A.
115	HC041008	2	SCREW, FH PHILL. #4 X .250 TYPE AB
118	HT532712	1	FLAT HEAD PHILLIPS #6 X .500 LG TYPE AB
119	HT552509	12	TAP SC NO 8-16 X .31 PLASTITE PN HD PHIL
121	HT552512	2	TAP SC NO. 8-16 X .50 PLASTITE PAN HEAD PHILLIPS BLACK
123	20040-703	1	DECAL, LEG PRESS, BLACK
123	20040-704	1	DECAL, LEG PRESS, SILVER

21040 Pulley Assembly



Ref #	Part Number	Qty	Description
38	21040-200	1	W/ FRAME Custom
61	GP000209	9	PULLEY ASSEMBLY-3.50
65	HC700428	5	BHSCS .375-16 X 2.25
66	HC700430	4	BHSCS .375-16 X 2.50
69	HN704901	9	LOCKNUT .375-16 NYLON
70	HS347600	9	WASHER SAE .375

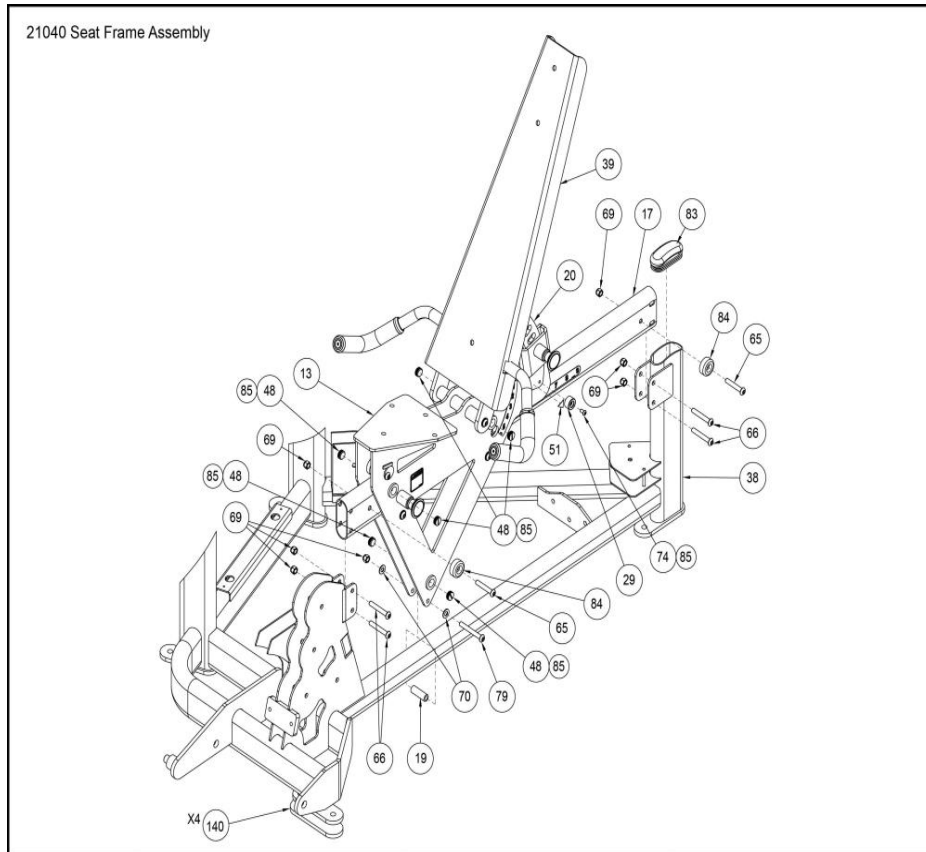
21040 Seat Assembly



Ref #	Part Number	Qty	Description
4	11040-440	2	KNOB
5	11040-530	1	SHAFT PIVOT
13	12040-204	1	W SEAT Custom
14	12040-206	1	P CAM BOLT
17	12040-322	1	TUBE
18	12040-323	4	ROLLER
19	12040-324	4	SPACER
20	12040-326	1	P ADJUSTING ARM
21	12040-329	1	DECAL ADJUSTMENT
24	12040-352	1	DECAL SEAT ADJUSTING
26	12040-355	1	STOP
27	12040-357	1	PIN DETENT
34	20000-525	2	TRIM RING
35	20000-526	2	TRIM RING
39	21040-205	1	W/ CUSHION PLATE Custom
45	4505-329	1	PIN DETENT
46	4505-331	1	BUMPER 1.50 DIA
47	4605-521	2	GRAB GRIP 8.25
53	BS070201	2	COM SPRING .56 ID X .66 OD X 1.50 LG
55	4800-187	1	WEAR COVER SA BACK 36 MOLDED Custom
58	FB130207	2	BRG FLG 17MM X 19MM X 25MM
62	HC700414	1	BHSCS .375-16 X .62

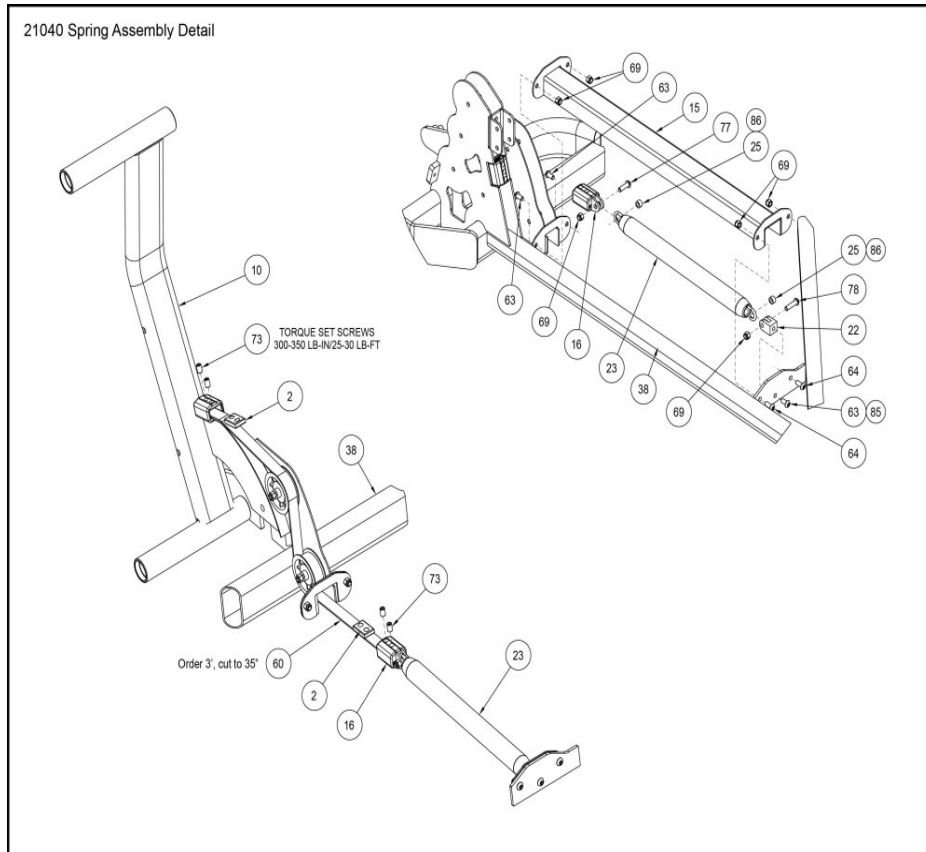
Ref #	Part Number	Qty	Description
67	HF449066	4	INSERT 3/4 X 5/16-18 UNC
69	HN704901	4	LOCKNUT .375-16 NYLON
70	HS347600	6	WASHER SAE .375
75	JC661000	2	FHSCS .312-18 X 1.75 LONG
76	JC700412	2	BHSCS .375-16 X .50
77	JC700420	4	BHSCS .375-16 X 1.25
79	JC700434	2	BHSCS .375-16 X 3.00
80	JS347400	2	LOCKWASHER INT TOOTH .375
82	PP090213	2	INSERT PLASTIC
85	YA000201	1	ADH THRD LKR REM .02 OZ 242
86	YG000002	1	NLA: Please use Lithium Grease
110	██████████	1	CUSHION SA BIKE SEAT 12in MOLD Custom
111	██████████	1	COVERED CUSHION SA BACK 36IN MOLDED Custom
112	8500-025	2	DECAL CAUTION Custom

21040_Seat_Frame_Assembly



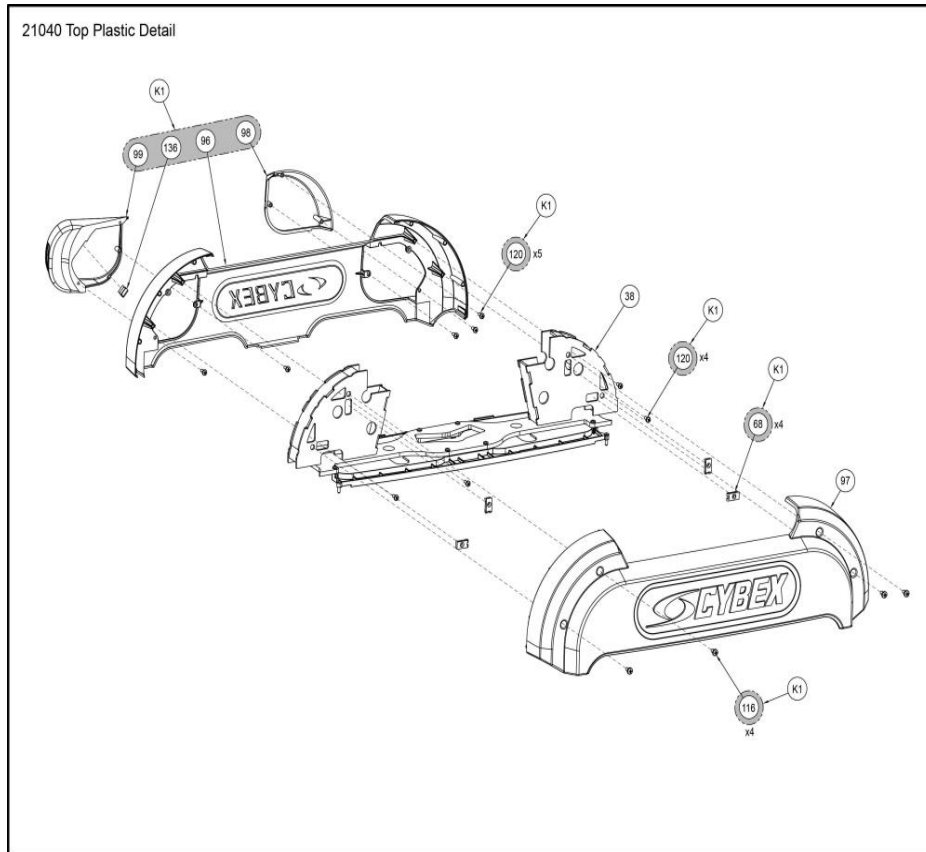
Ref #	Part Number	Qty	Description
13	12040-204	1	W SEAT Custom
17	12040-322	1	TUBE
19	12040-324	1	SPACER
20	12040-326	1	P ADJUSTING ARM
29	12100-303	1	BUMPER
38	21040-200	3	W/ FRAME Custom
39	21040-205	1	W/ CUSHION PLATE Custom
48	4860-332	5	PLUG ADJ BEARING
51	5340Y045	1	DECAL ARROW
65	HC700428	2	BHSCS .375-16 X 2.25
66	HC700430	4	BHSCS .375-16 X 2.50
69	HN704901	6	LOCKNUT .375-16 NYLON
70	HS347600	2	WASHER SAE .375
74	JC620412	1	BHSCS .250-20 X .50
79	JC700434	1	BHSCS .375-16 X 3.00
83	PP130002	1	INSERT DOMED PLASTIC
84	PR060003	2	BUMPER RECESS
85	YA000201	1	ADH THRD LKR REM .02 OZ 242
140	12090-322	4	PAD FOOT

21040_Spring_Assembly_Detail



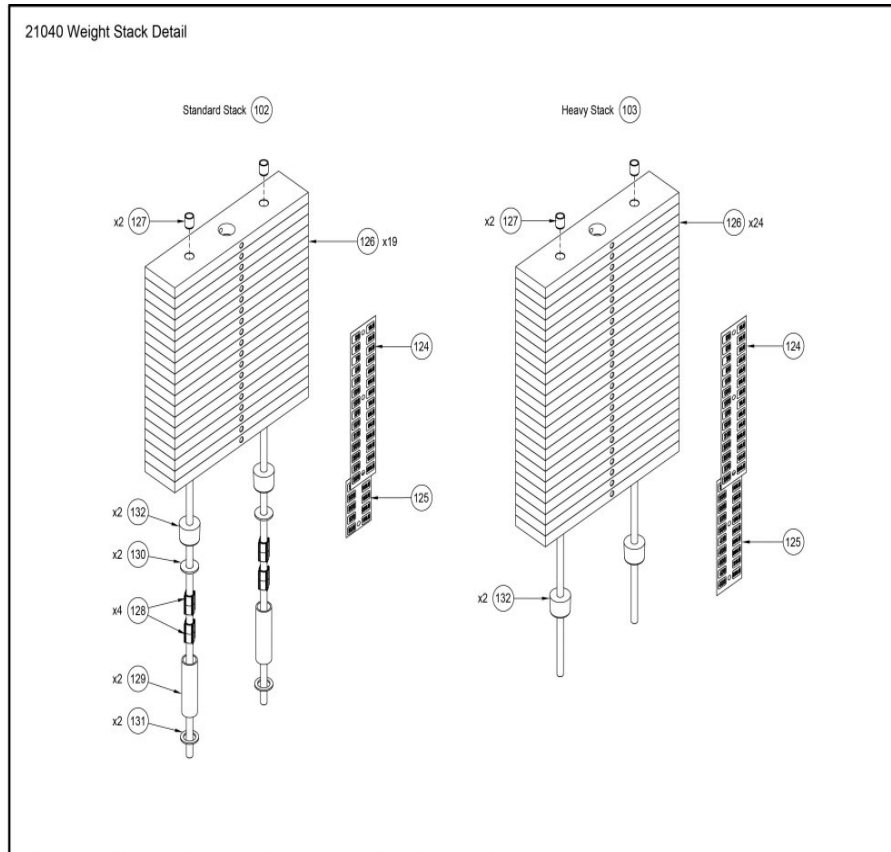
Ref #	Part Number	Qty	Description
2	11040-301	2	INSERT CLAMP BLOCK
10	12040-201	1	W PIVOT Custom
15	12040-207	1	W GUARD Custom
16	12040-208	1	W BELT CLAMP
22	12040-347	1	BLOCK
23	12040-348	1	EXT SPRING 20.25 LONG
25	12040-354	1	SPACER
38	21040-200	1	W/ FRAME Custom
60	GB000202	3	BELT .95 WIDE Sold in Ft 1=1ft
63	HC700415	3	BHSCS .375-16 X .75
64	HC700416	2	BHSCS .375-16 X .875
69	HN704901	6	LOCKNUT .375-16 NYLON
73	HY740000	4	SET SCREW
77	JC700420	1	BHSCS .375-16 X 1.25
78	JC700422	1	BHSCS .375-16 X 1.50
85	YA000201	1	ADH THRD LKR REM .02 OZ 242
86	YG000002	1	NLA: Please use Lithium Grease

21040_Top_Plastic_Detail



Ref #	Part Number	Qty	Description
K1	21000K040	1	KIT, PRESTIGE TOP CAP (RH EXIT)
38	21040-200	1	W/ FRAME Custom
68	HF579000	4	PANEL FASTENER 10-24 U TYPE
96	21000-454	1	TOP CAP, FRONT
97	21000-455	1	TOP CAP, REAR
98	21000-457	1	TOP CAP INSERT LH
99	21000-459	1	PULLEY COVER ASSEMBLY RH
116	HJ582510	4	SEMS 10-32 X .38
120	HT552511	9	TAP SC #8-16 X .38 TAP BLACK PLASTITE
136	HF009000	1	SPEED CLIP U-TYPE

21040_Weight_Stack_Detail



Ref #	Part Number	Qty	Description
102	21040-020	1	REGULAR WEIGHT STACK
103	21040-021	1	HEAVY WEIGHT STACK
124	12000-560	1	DECAL WT PLATE (30-290)
125	12000-561	1	DECAL WT PLATE (310-490)
126	4000C101	1	C STACK WT 4X18
127	FB130216	2	Bushing Weight Stack
128	12210-352	2	INSERT PLASTIC
129	12210-359	2	TUBE SPACER
130	HS760106	2	WASH FLAT 1.750 .688 .140 T
131	JS497600	2	WASHER 1.19 ID X 1.75 OD X .12 THK
132	PR060005	2	BUMPER WEIGHT

