

Prestige Arm Curl

21070-10

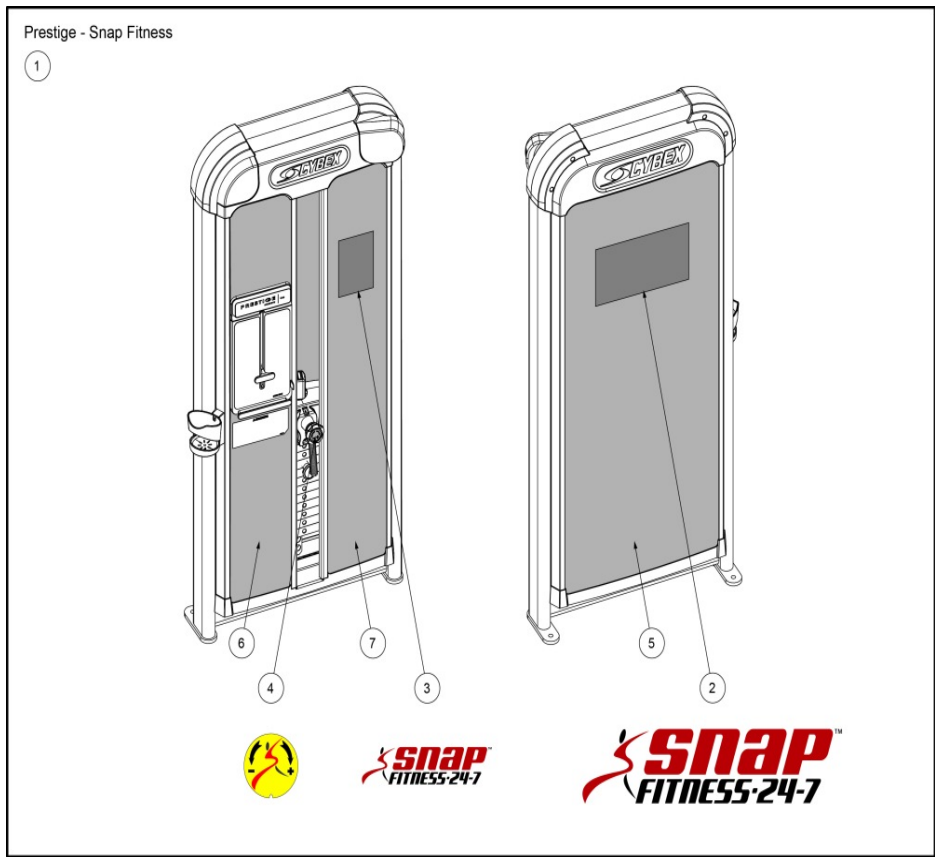
Parts Manual

5/22/2021 9:32:50 AM

Table of Contents

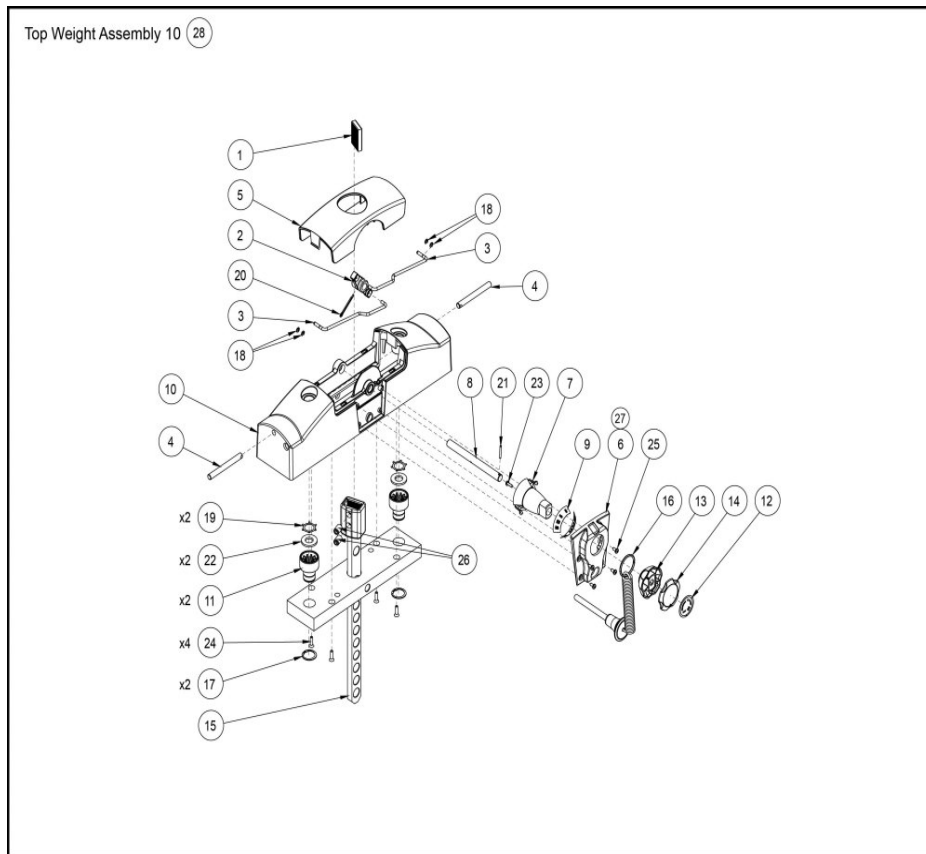
[Prestige - Snap Fitness.....](#)3
[Top Weight Assembly 10 21000-007.....](#)4
[21070 Frame Assembly.....](#)6
[21070 Handle Assembly.....](#)8
[21070 Panel Assembly.....](#)10
[21070 Seat Assembly.....](#)12
[21070 Top Plastic Detail.....](#)14
[21070 Weight Stack Detail.....](#)15

Prestige - Snap Fitness



Ref #	Part Number	Qty	Description
1	21010-025OS	1	SNAP PANEL INSERT ASSEMBLY
2	21000-409	1	DECAL, SNAP FITNESS 14.00
3	21000-408	1	DECAL, SNAP FITNESS 6.00
4	12000-424	1	Decal Snap Fitness Rotation
5	21000-440ON	1	BACK PANEL
6	21000-441ON	1	FRONT PANEL (MEDIA CENTER)
7	21000-442ON	1	FRONT PANEL

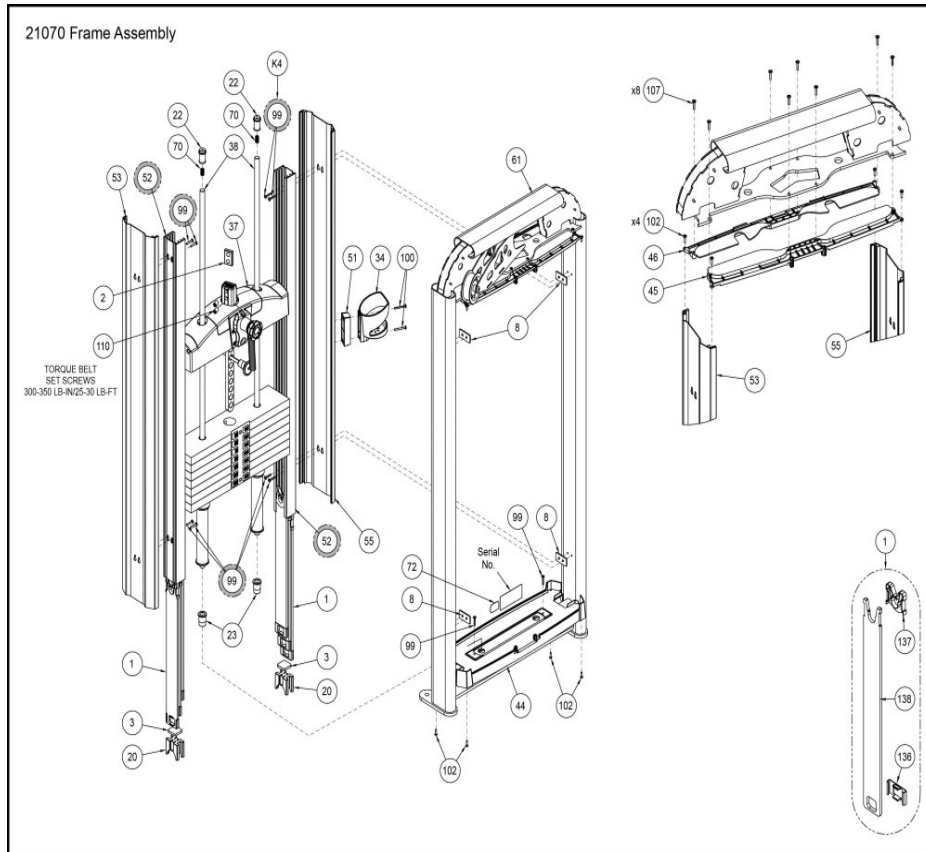
Top_Weight_Assembly_10_21000-007



Ref #	Part Number	Qty	Description
1	11040-301	1	INSERT CLAMP BLOCK
2	11040-367	1	HUB MOLDED
3	11040-369	2	ROD LINKAGE
4	11040-370	2	PIN
5	11040-416	1	COVER TOP WEIGHT
6	11040-424	1	COVER PLATE
7	11040-426	1	STEM
8	11040-427	1	ROD
9	11040-428	1	DECAL ADJUSTMENT
10	11050-366	1	TOP WT ASSY, MOLDED
11	13000-364	2	BEARING FLNG .62 ID X .92 OD X 1.75 LG
12	20000-429	1	ROTATION DECAL
13	20000-476	1	KNOB, BASE
14	20000-477	1	KNOB
15	21000-228	1	C LIFTING POST 10
16	BH030207	1	PIN WEIGHT SELECTOR
17	BR030206	2	RETAINING RING
18	BR030209	4	RETAINING RING .188
19	BR030220	2	RETAINING RING 1.250 INTERNAL
20	HP016820	1	COTTER PIN .125 X 1.25
21	HP266765	1	ROLL PIN .125 X .938
22	HS720004	1	WASHER FELT .641 ID X 1.250 OD X .125 T

Ref #	Part Number	Qty	Description
23	HT552512	1	TAP SC NO. 8-16 X .50 PLASTITE PAN HEAD PHILLIPS BLACK
24	HT562715	4	TAP SC NO 10 X .750 F PHIL
25	HT582510	1	TAP SC NO 10 X .375 PN HD PHIL
26	HY740000	2	SET SCREW
27	YG000002	1	NLA: Please use Lithium Grease
28	21000-007	1	TOP WEIGHT ASSY 10

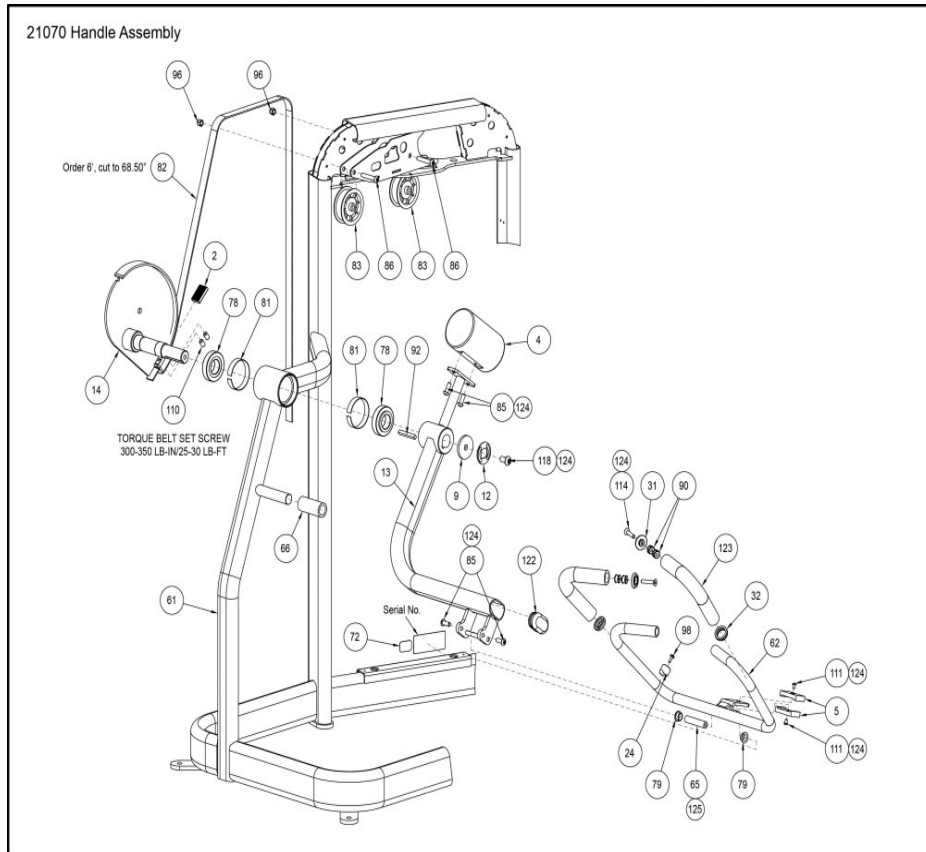
21070_Frame_Assembly



Ref #	Part Number	Qty	Description
1,138	11040-030	12	INCREMENT WEIGHT S/A
2	11040-301	1	INSERT CLAMP BLOCK
3	11040-409	3	BUMPER
K4	21000K002	1	KIT, SHORT INC WT CHANNEL REPLACEMENT (PRESTIGE)
8	12000-398	2	SPACER
20	12102-330	2	INSERT INCREMENT WEIGHT
22	12210-347	2	CAP GUIDE ROD
23	12210-348	2	CAP GUIDE ROD
34	20000-650	1	HOLDER, WATER BOTTLE
37	21000-007	1	TOP WEIGHT ASSY 10
38	21000-350	2	WT ROD .625 X 48.22
44	21000-450	1	BOTTOM TRAY
45	21000-451	1	MOUNT, FRONT
46	21000-452	1	MOUNT, BACK
51	21000-465	1	SPACER
52	21000-580	2	EXTRUSION INC WT CHANNEL
53	21000-471	1	EXTRUSION, OUTER CHANNEL
55	21000-473	1	EXTRUSION, OUTER CHANNEL (RH HOLES)
61	21070-200	1	W MAIN FRAME Custom
70	BS070208	2	COMP SPRING .396 ID X .480 OD X 1.50 LG
72	CM000211	1	DECAL PATENT

Ref #	Part Number	Qty	Description
99	HT512517	8	TAP SC 10-24 X 1.00 TYPE WB PN HD PHIL BLK
100	HT512522	2	TAP SC 10-24 X 1.50 TYPE WB PN
102	HT542514	8	TAP SC NO 8-32 X .625 A PHIL
107	HT552515	8	TAP SC NO. 8-16 X .75 PLASTITE PN HD PHIL BLK
110	HY740000	2	SET SCREW
136	11040-572	6	GUARD INCREMENT WEIGHT
137	11040-578	6	GUARD, INCREMENT WEIGHT
-	CM000202	1	DECAL, SERIAL NUMBER

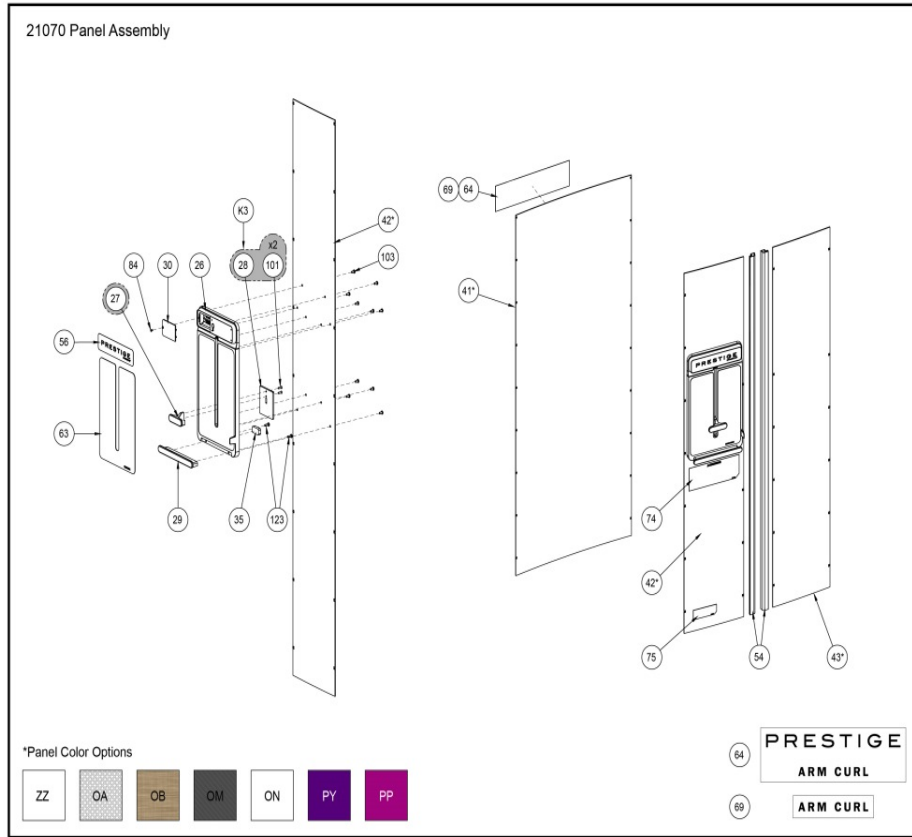
21070_Handle_Assembly



Ref #	Part Number	Qty	Description
2	11040-301	1	INSERT CLAMP BLOCK
4	11070-332	1	C COUNTERWEIGHT
K5	1008432-0001	1	KIT, ARM CURL HANDLE- Custom
9	12050-343	2	WASHER
12	12050-355	1	DECAL ROTATION
13	1007105-0000	1	W INPUT ARM Custom
14	12070-204	1	W CAM Custom
24	13075-325	1	BUMPER
31	20000-525	1	TRIM RING
32	20000-526	2	TRIM RING
61	21070-200	2	W MAIN FRAME Custom
62	1007111-0000	1	W ARM CURL HANDLE Custom
65	4535-328	1	PIN PIVOT-SHORT
66	4605-515	1	GRAB GRIP 3.25
72	CM000211	2	DECAL PATENT
78	FB030249	1	BEARING RADIAL 35MM EXT RACE
79	FB130205	2	BRG FLG .62 X .75 .38 LG
81	FC030009	2	TOLERANCE RING 72MM
82	GB000202	2	BELT .95 WIDE Sold in Ft 1=1ft
83	GP000209	6	PULLEY ASSEMBLY-3.50
85	HC700417	2	BHSCS .375-16 X 1.00
86	HC700428	2	BHSCS .375-16 X 2.25

Ref #	Part Number	Qty	Description
90	HF449066	2	INSERT 3/4 X 5/16-18 UNC
92	HH320030	4	KEY .313 SQ X 2.50
96	HN704901	1	LOCKNUT .375-16 NYLON
98	HT102214	2	SCREW,10-24,HXHD WSHR PHIL,TYP 23
110	HY740000	1	SET SCREW
114	JC661000	2	FHSCS .312-18 X 1.75 LONG
118	JC780417	2	BHSCS .500-13 X 1.00
122	PP130003	2	INSERT PLASTIC
123	4605-503	1	GRAB GRIP 12.25
124	YA000201	1	ADH THRD LKR REM .02 OZ 242
125	YG000002	2	NLA: Please use Lithium Grease
141	HC700414	1	BHSCS .375-16 X .62
142	4505-331	1	BUMPER 1.50 DIA
-	CM000202	1	DECAL, SERIAL NUMBER

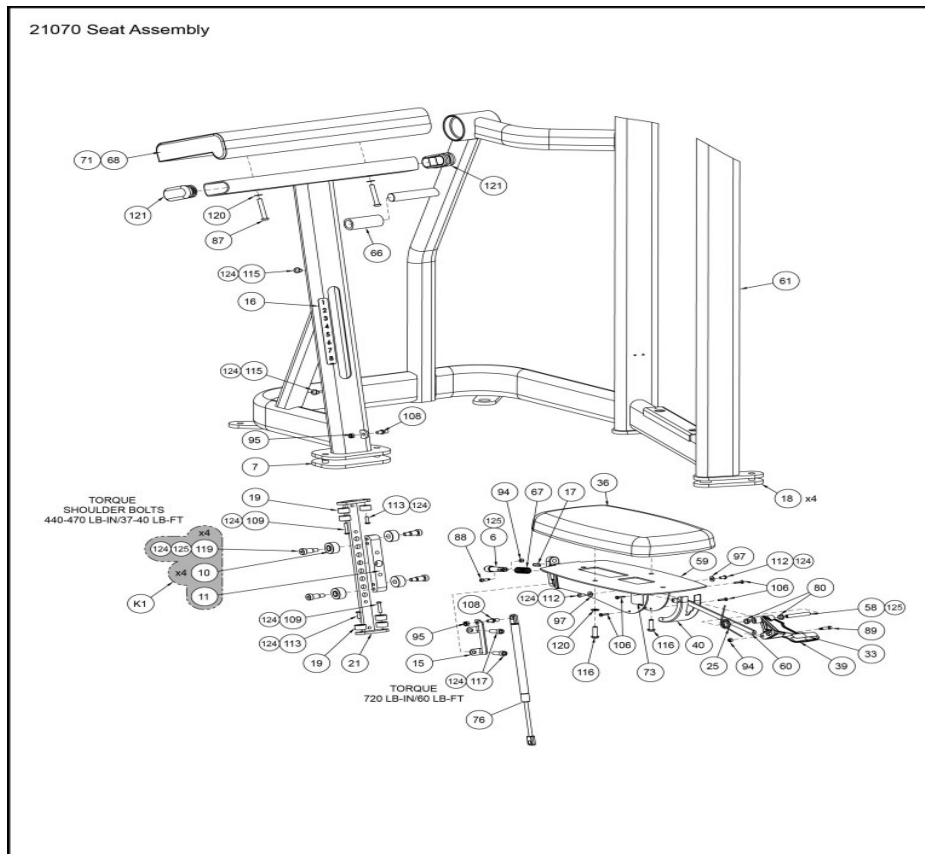
21070_Panel_Assembly



Ref #	Part Number	Qty	Description
K3	20000K007	1	KIT, CLAMP BAR REPLACEMENT
26	20000-652	1	PANEL, PLACARD
27	20000-662	1	CLAMP BAR
28	20000-483	1	WEIGHT PLATE
29	20000-655	1	BOTTOM TAB
30	20000-524	1	COVER PLATE
35	20000-560	1	BUMPER
41	21000-440PY	1	BACK PANEL, YOUFIT PURPLE
41	21000-440OA	1	BACK PANEL ASPEN
41	21000-440OM	1	BACK PANEL MORACO
41	21000-440ZZ	1	BACK PANEL
41	21000-440ON	1	BACK PANEL
41	21000-440OB	1	BACK PANEL BALI
41	21000-440PP	1	BACK PANEL, PLANET FITNESS PURPLE
42	21000-441PY	1	FRONT PANEL (MEDIA CENTER), YOUFIT PURPLE
42	21000-441ZZ	1	FRONT PANEL (MEDIA CENTER)
42	21000-441OA	1	FRONT PANEL (MEDIA CENTER) ASPEN
42	21000-441OM	1	FRONT PANEL (MEDIA CENTER) MORACO
42	21000-441PP	1	FRONT PANEL, PLANET FITNESS PURPLE
42	21000-441ON	1	FRONT PANEL (MEDIA CENTER)
42	21000-441OB	1	FRONT PANEL (MEDIA CENTER) BALI
43	21000-442PP	1	FRONT PANEL, PLANET FITNESS PURPLE

Ref #	Part Number	Qty	Description
43	21000-442ON	1	FRONT PANEL
43	21000-442ZZ	1	FRONT PANEL
43	21000-442PY	1	FRONT PANEL
43	21000-442OA	1	FRONT PANEL ASPEN
43	21000-442OB	1	FRONT PANEL BALI
43	21000-442OM	1	FRONT PANEL MORACO
54	21000-472	2	EXTRUDED GUARD
56	21000-556	1	MEDIA CENTER DECAL
63	21070-598	1	Placard Prestige ArmCurl Custom
64	21070-700	1	DECAL, ARM CURL
64	21070-701	1	DECAL, ARM CURL
69	20070-704	1	DECAL, ARM CURL, SILVER
69	20070-703	1	DECAL, ARM CURL, BLACK
74	DE000023	1	Decal Warning Custom
75	DE000025	1	NLA: DECAL, MADE IN U.S.A.
84	HC041008	1	SCREW, FH PHILL. #4 X .250 TYPE AB
101	HT532712	2	FLAT HEAD PHILLIPS #6 X .500 LG TYPE AB
103	HT552509	10	TAP SC NO 8-16 X .31 PLASTITE PN HD PHIL
123	4605-503	2	GRAB GRIP 12.25

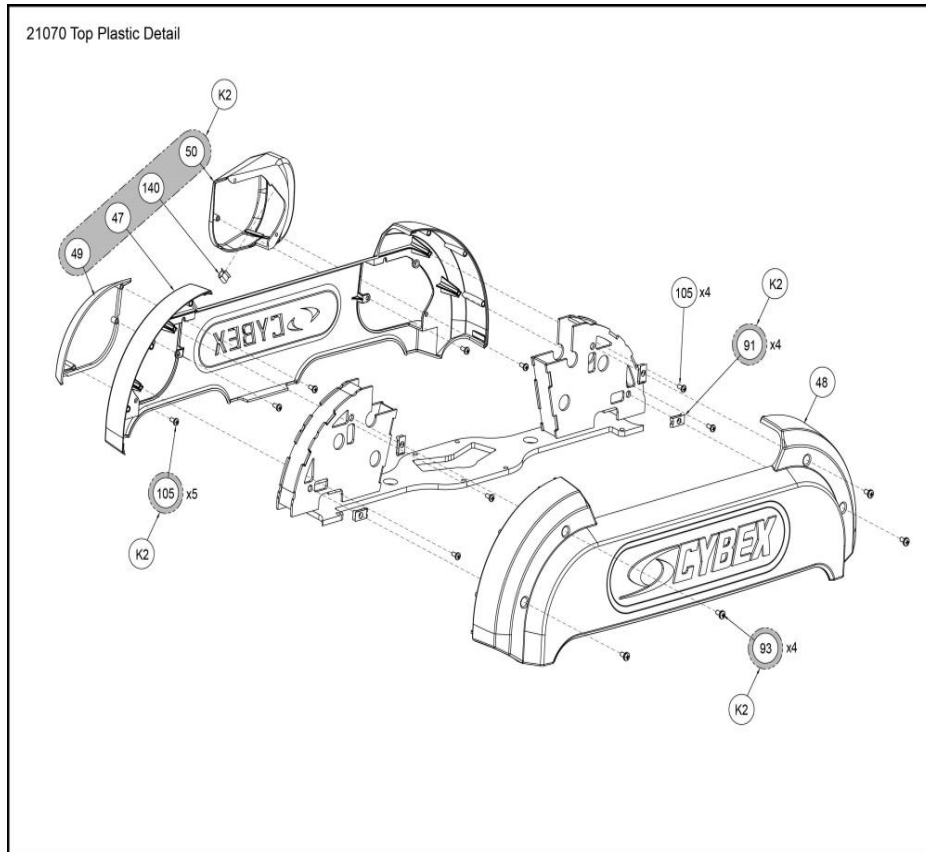
21070_Seat_Assembly



Ref #	Part Number	Qty	Description
6	12000-339	1	PIN DETENT
7	12000-345	1	FOOT PAD 4.00 X 7.00
10,11,K1	12000K012	6	KIT. ROLLER ASSEMBLY
15	12070-308	1	MOUNT SPRING
16	12070-329	1	DECAL ADJUSTING
17	12070-394	1	DECAL INDICATOR
18	12090-322	4	PAD FOOT
19	12100-303	6	BUMPER
21	12190-208	1	P DETENT BAR
25	20000-456	1	TORSION SPRING
33	20000-536	1	DECAL
36	20000-633	1	CUSHION S/A 10-X 18 MOLDED Custom
39	21000-375	1	HANDLE
40	21000-376	1	COVER, SEAT FRONT
58	21010-350	1	PIVOT SHAFT
59	21030-245	1	W SEAT Custom
60	21030-420	1	LINK BAR
61	21070-200	1	W MAIN FRAME Custom
66	4605-515	1	GRAB GRIP 3.25
67	4715-346	1	COM SPRING .72 X 1.50 LG
68	4800-163	1	COVERED CUSHION CONTOUR 10 X 2 Custom
71	4800-162	1	WEAR COVER CONTOUR 10 X 22 Custom

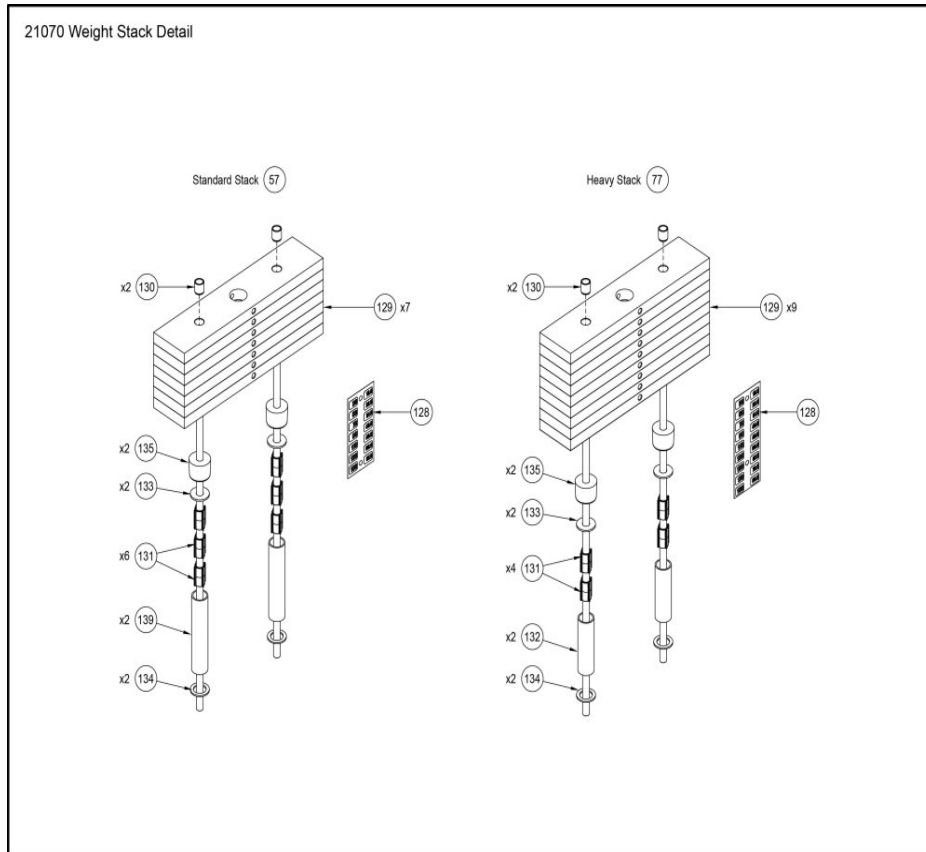
Ref #	Part Number	Qty	Description
73	DE000019	1	Decal Caution Custom
76	EZ000008	1	GAS SPRING 100N
80	FB130219	2	BRG, FLG .375 X .500 X .250 LG
87	HC700430	2	BHSCS .375-16 X 2.50
88	HD303312	1	S BOLT .250 X .500 .190-10-24
89	HD303315	1	S Bolt .250 x .750 .190-10-24
94	HN575100	1	LOCKNUT .190-NO 10-24
95	HN664900	2	LOCKNUT .312-18 NYLON INSERT
97	HS307600	1	WASHER SAE .250
106	HT572514	2	TAP SC NO. 10-24 X .75 PN HD PHIL
108	HX-60184	2	BALL,STUD,5/16 -18X10MM
109	HX620420	2	BHSCS .250-20 X 1.250
112	JC620412	2	BHSCS .250-20 X .50
113	JC620415	2	BHSCS .250-20 X .75
115	JC700412	2	BHSCS .375-16 X .50
116	JC700420	2	BHSCS .375-16 X 1.25
117	JC702820	2	SHCS .375-16 X 1.25
119	JD383315	4	S BOLT .500 X .75 .375-16
120	JS347400	2	LOCKWASHER INT TOOTH .375
121	PP130002	2	INSERT DOMED PLASTIC
124	YA000201	1	ADH THRD LKR REM .02 OZ 242
125	YG000002	1	NLA: Please use Lithium Grease

21070_Top_Plastic_Detail



Ref #	Part Number	Qty	Description
K2	21000K041	1	KIT, PRESTIGE TOP CAP (LH EXIT)
47	21000-454	1	TOP CAP, FRONT
48	21000-455	1	TOP CAP, REAR
49	21000-460	1	TOP CAP INSERT RH
50	21000-462	1	PULLEY COVER ASSEMBLY LH
91	HF579000	4	PANEL FASTENER 10-24 U TYPE
93	HJ582510	4	SEMS 10-32 X .38
105	HT552511	8	TAP SC #8-16 X .38 TAP BLACK PLASTITE
140	HF009000	1	SPEED CLIP U-TYPE

21070_Weight_Stack_Detail



Ref #	Part Number	Qty	Description
57	21010-020	1	REGULAR WEIGHT STACK
77	21010-021	1	
128	12000-560	1	DECAL WT PLATE (30-290)
129	4000C101	1	C STACK WT 4X18
130	FB130216	2	Bushing Weight Stack
131	12210-352	2	INSERT PLASTIC
132	12210-359	2	TUBE SPACER
133	HS760106	2	WASH FLAT 1.750 .688 .140 T
134	JS497600	2	WASHER 1.19 ID X 1.75 OD X .12 THK
135	PR060005	2	BUMPER WEIGHT
139	21010-343	2	SPACER TUBE

