

PRESTIGE CABLE COLUMN TA

21580-01

Parts Manual

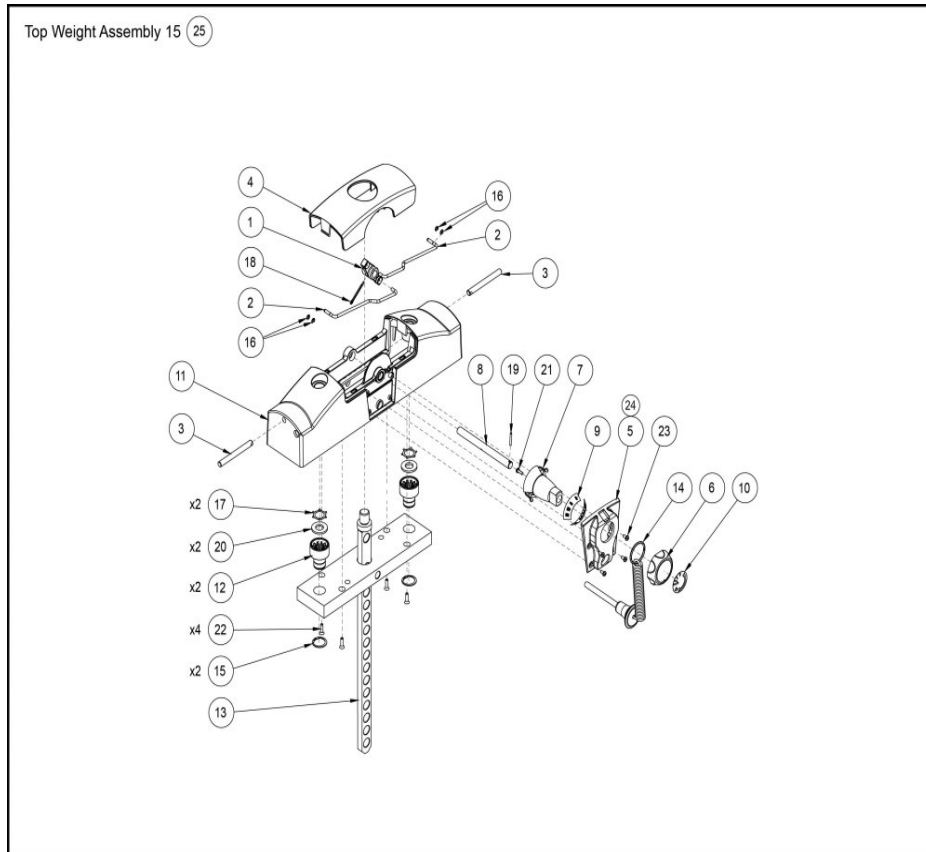
5/22/2021 9:42:57 AM



Table of Contents

Top Weight Assembly 15 14220-021.....	3
1007911-0001 Tapered Detent Pin Kit.....	5
21580 Adjusting Handle Detail.....	7
21580 Cable Routing.....	9
21580 Frame Assembly.....	10
21580 Leg Assembly.....	12
21580 Panel Assembly.....	13
21580 Pulley Assembly.....	15
21580 Top Plastic Detail.....	16
21580 Weight Stack Detail.....	17

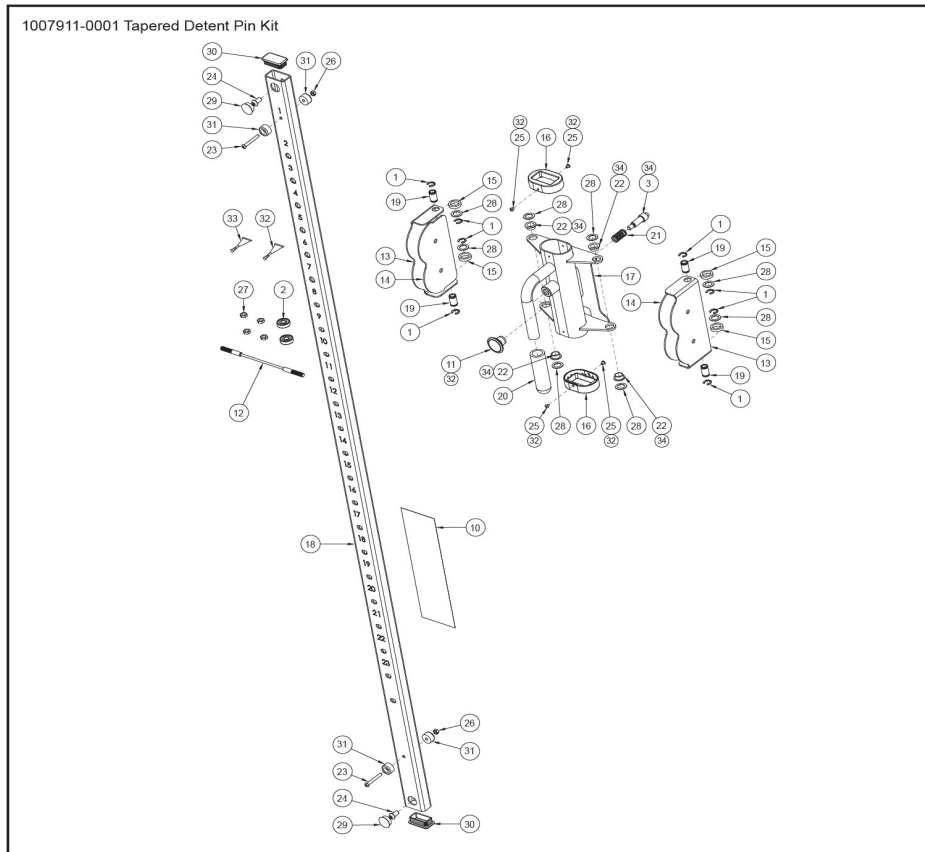
Top_Weight_Assembly_15_14220-021



Ref #	Part Number	Qty	Description
1	11040-367	1	HUB MOLDED
2	11040-369	2	ROD LINKAGE
3	11040-370	2	PIN
4	11040-416	1	COVER TOP WEIGHT
5	11040-424	1	COVER PLATE
6	11040-425	1	KNOB
7	11040-426	1	STEM
8	11040-427	1	ROD
9	11040-428	1	DECAL ADJUSTMENT
10	14051-308	1	Decal Rotation
11	11050-366	1	TOP WT ASSY, MOLDED
12	13000-364	2	BEARING FLNG .62 ID X .92 OD X 1.75 LG
13	4700-281	1	C LIFTING POST 15
14	BH030207	1	PIN WEIGHT SELECTOR
15	BR030206	2	RETAINING RING
16	BR030209	4	RETAINING RING .188
17	BR030220	2	RETAINING RING 1.250 INTERNAL
18	HP016820	1	COTTER PIN .125 X 1.25
19	HP266765	1	ROLL PIN .125 X .938
20	HS720004	2	WASHER FELT .641 ID X 1.250 OD X .125 T
21	HT552512	1	TAP SC NO. 8-16 X .50 PLASTITE PAN HEAD PHILLIPS BLACK

Ref #	Part Number	Qty	Description
22	HT562715	4	TAP SC NO 10 X .750 F PHIL
23	HT582510	4	TAP SC NO 10 X .375 PN HD PHIL
24	YG000002	1	NLA: Please use Lithium Grease
25	14220-021	1	Top Weight Assy 15

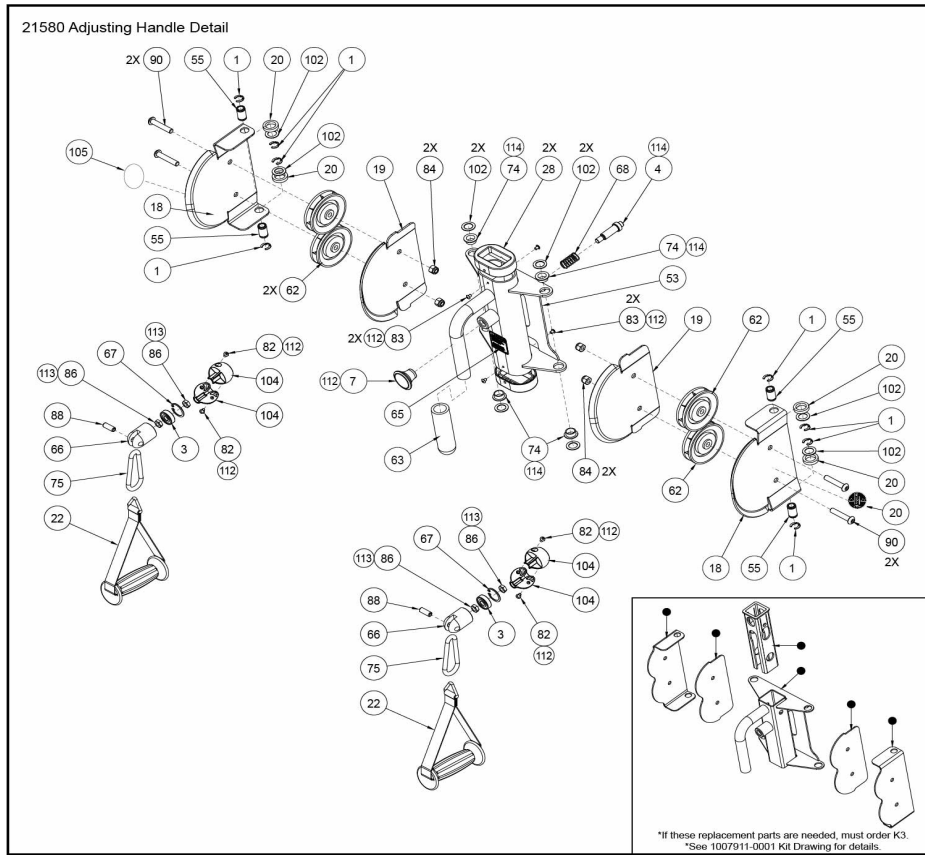
1007911-0001 Tapered Detent Pin Kit



Ref #	Part Number	Qty	Description
1	08011	8	RETAINING RING .62
2	08135	2	BRG BALL
3	1006668-0001	1	PIN ASSEMBLY, DETENT
4			MANUAL: 12220,12228,14220 & 21KIT INSTR SHEET (1007911-0001)
5	1008177-0001	1	CARTON: 11.81" X 10.81" X 7.63" INSIDE DIM
6	1008554-0002	1	CARTON: 9.38" X 1.50" X 89.5" INSIDE DIM
7	1008554-0003	1	CARTON: 9.00" X 2.25" X 44.63" INSIDE DIM
8	1008554-0004	1	CARTON: 14.00" X 8.50" X 44.38" INSIDE DIM
9	1008554-0000	1	CARTON: 14.25" X 10.5" X 90" INSIDE DIM
10	1008807-0001	1	DECAL: 8500-025-X CAUTION, LANGUAGE COLLAGE
11	11040-440	1	KNOB
12	1008127-0001	1	ASSEMBLY: CABLE .125 X 7 X 19 X .188
13	12220-313	2	Plate Pulley
14	12220-321	2	Plate Pulley
15	12220-358	4	Spacer
16	16060-316	2	PLASTIC GUIDE
17	21580-202	1	W ADJUSTING HANDLE Custom
18	21580-320	1	TUBE, DETENT
19	21580-336	4	BUSHING
20	4800-700	1	GRIP 4.75 FOAM
21	BS070201	1	COM SPRING .56 ID X .66 OD X 1.50 LG

Ref #	Part Number	Qty	Description
22	FB130205	4	BRG FLG .62 X .75 .38 LG
23	HC620431	2	BHSCS .250-20 X 2.00
24	HC700415	2	BHSCS .375-16 X .75
25	HM583208	4	SCREW,10-32X.25,TRHD PHIL
26	HN624100	2	HEX NUT .250-20
27	HN704400	4	JAM NUT .375-16
28	JS407100	8	BUSHING .625 MACHINERY
29	PN660200	2	INSERT PLASTIC 1.00 DIA-11 GA
30	PP090217	2	INSERT, PLASTIC 1.25 X 2.25
31	PR069400	4	BUMPER RECESS
32	YA000201	1	ADH THRD LKR REM .02 OZ 242
33	YA000226	1	LOCTITE 680 .5 ML
34	YG000002	1	NLA: Please use Lithium Grease

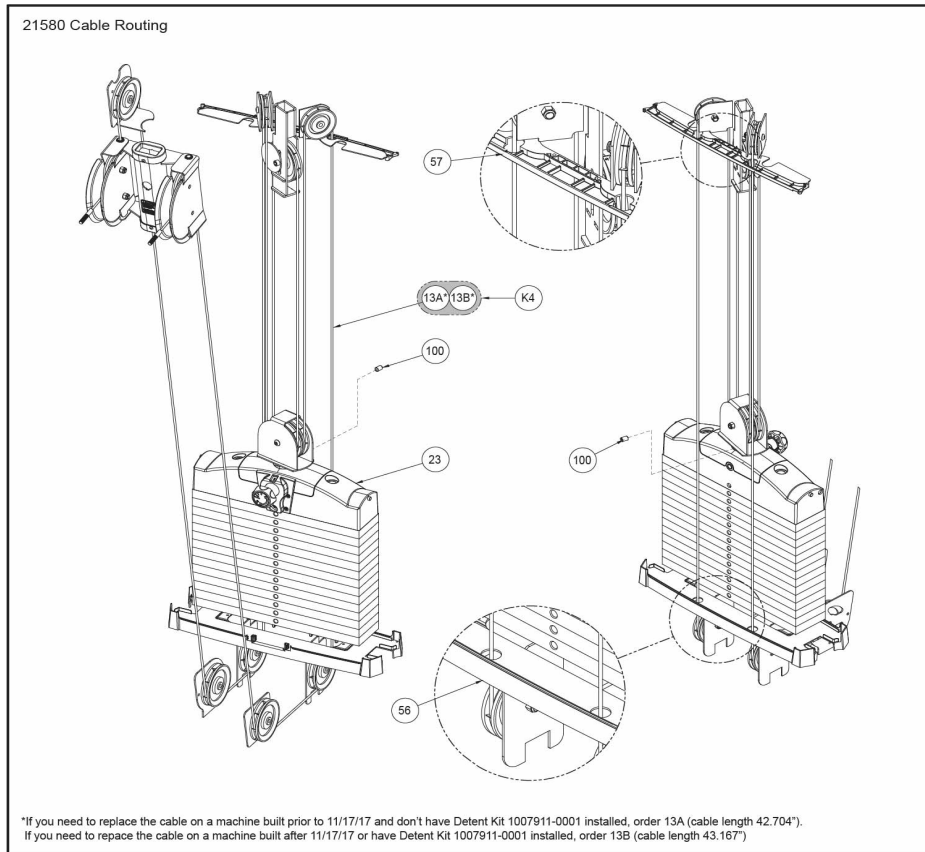
21580_Adjusting_Handle_Detail



Ref #	Part Number	Qty	Description
1	08011	7	RETAINING RING .62
K3	1007911-0001	1	KIT: 12220, 12228, 14220 & 21580 TAPERED DETENT PIN
3	08135	2	BRG BALL
4	1006668-0001	1	PIN ASSEMBLY, DETENT
7	11040-440	1	KNOB
18	1008080-0001	2	PLATE: PULLEY PLATE, FORMED
19	1008081-0001	2	PLATE, PULLEY PLATE
20	12220-358	4	Spacer
22	14220-005	2	Handle Assembly
28	16060-316	2	PLASTIC GUIDE
53	21580-202	1	W ADJUSTING HANDLE Custom
55	21580-336	4	BUSHING
62	4400-354	4	PULLEY ASSEMBLY-3.50
63	4800-700	1	GRIP 4.75 FOAM
65	8500-025	1	DECAL CAUTION Custom
66	AH020000	2	HOUSING SWIVEL
67	BR030224	2	RETAINING RING 1.188 INTERNAL
68	BS070201	1	COM SPRING .56 ID X .66 OD X 1.50 LG
74	FB130205	4	BRG FLG .62 X .75 .38 LG
75	3250201	2	Snap Link 3/8" D
82	HM580410	4	BHSCS .190-10-32 X .375
83	HM583208	4	SCREW,10-32X.25,TRHD PHIL

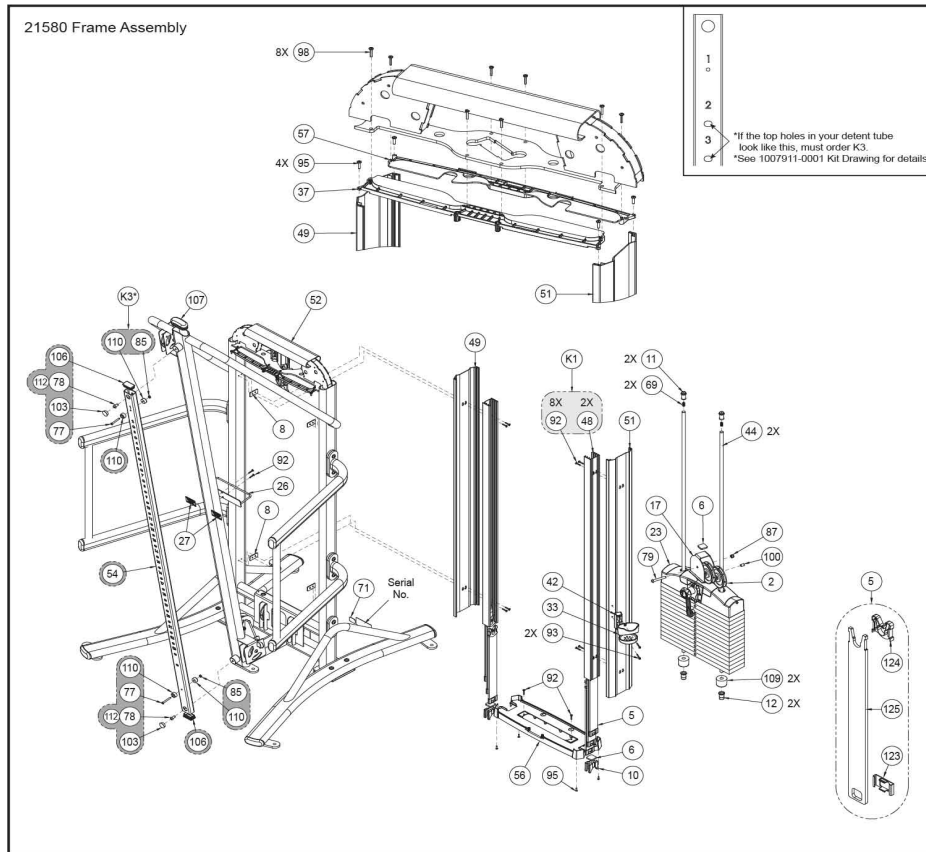
Ref #	Part Number	Qty	Description
84	HN-60560	4	NUT,NYLOC,,3750 -16 B-ZINC
86	HN704400	2	JAM NUT .375-16
88	HP346717	2	ROLL PIN .375 X 1.00
90	HS-60536	4	BOLT,3-8X2.0,BTHD CAP,BLK ZN,G5
102	JS407100	16	BUSHING .625 MACHINERY
104	PP040004	4	BALL STOP
112	YA000201	1	ADH THRD LKR REM .02 OZ 242
113	YA000226	1	LOCTITE 680 .5 ML
114	YG000002	1	NLA: Please use Lithium Grease

21580_Cable_Routing



Ref #	Part Number	Qty	Description
K4	1008228-0001	1	KIT: 21580 CABLE ASSEMBLIES (OLEER AND CURRENT)
13A	12220-002	1	Cable Assembly
13B	1008127-0001	1	ASSEMBLY: CABLE .125 X 7 X 19 X .188
23	14220-021	1	Top Weight Assy 15
56	21580-450	1	Bottom Tray
57	21580-452	1	Back Mount
100	HY740000	2	SET SCREW

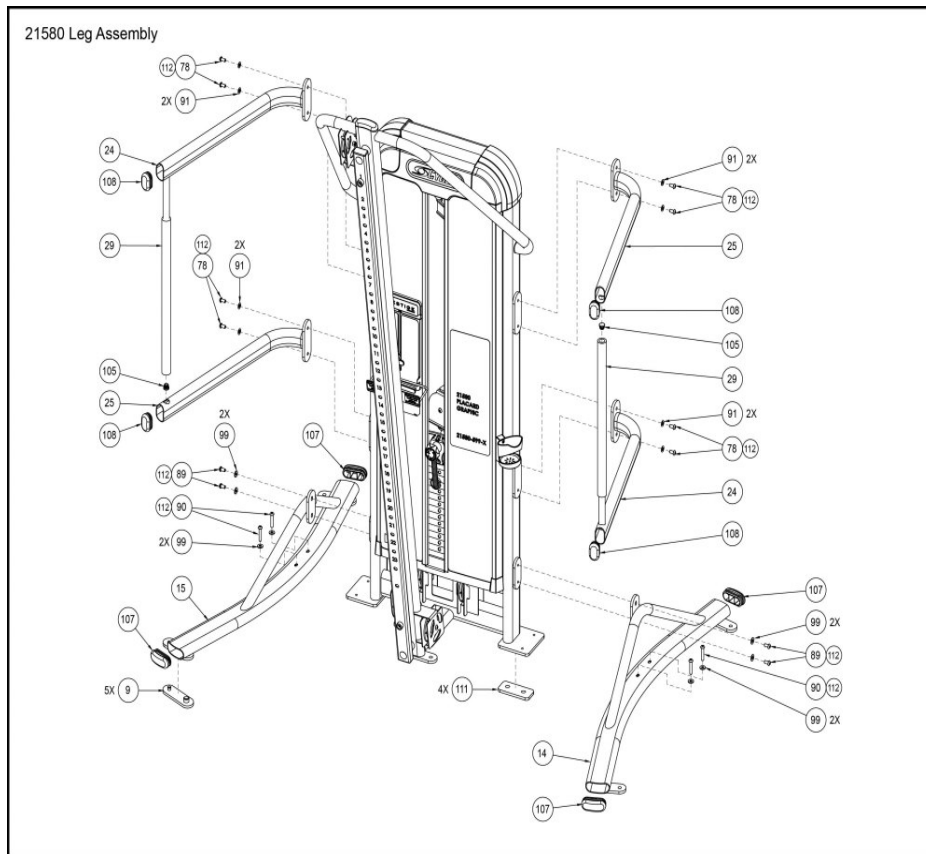
21580_Frame_Assembly



Ref #	Part Number	Qty	Description
K1	21040K002	1	KIT, TALL INCR WT CHANNEL REPLACEMENT (PRESTIGE)
2	08014	2	PULLEY ASSEMBLY-4.50
K3	1007911-0001	1	KIT: 12220, 12228, 14220 & 21580 TAPERED DETENT PIN
6	11040-409	2	BUMPER
8	12000-398	4	SPACER
10	12102-330	2	INSERT INCREMENT WEIGHT
11	12210-347	2	CAP GUIDE ROD
12	12210-348	2	CAP GUIDE ROD
17	12220-208	1	W Pulley Tab Custom
23	14220-021	1	Top Weight Assy 15
26	14220-204	1	Bracket Decal
27	14220-308	2	Decal Position
33	20000-650	1	HOLDER, WATER BOTTLE
37	21000-451	1	MOUNT, FRONT
42	21000-465	1	SPACER
44	21040-336	2	WT ROD .625 DIA X 59.72
48	21040-580	1	EXTRUSION, INC WT CHANNEL
49	21040-471	1	EXTRUSION, OUTER CHANNEL
51	21040-473	1	EXTRUSION, OUTER CHANNEL (RH HOLES)
52	21580-200	1	W FRAME Custom
54	21580-320	1	TUBE, DETENT

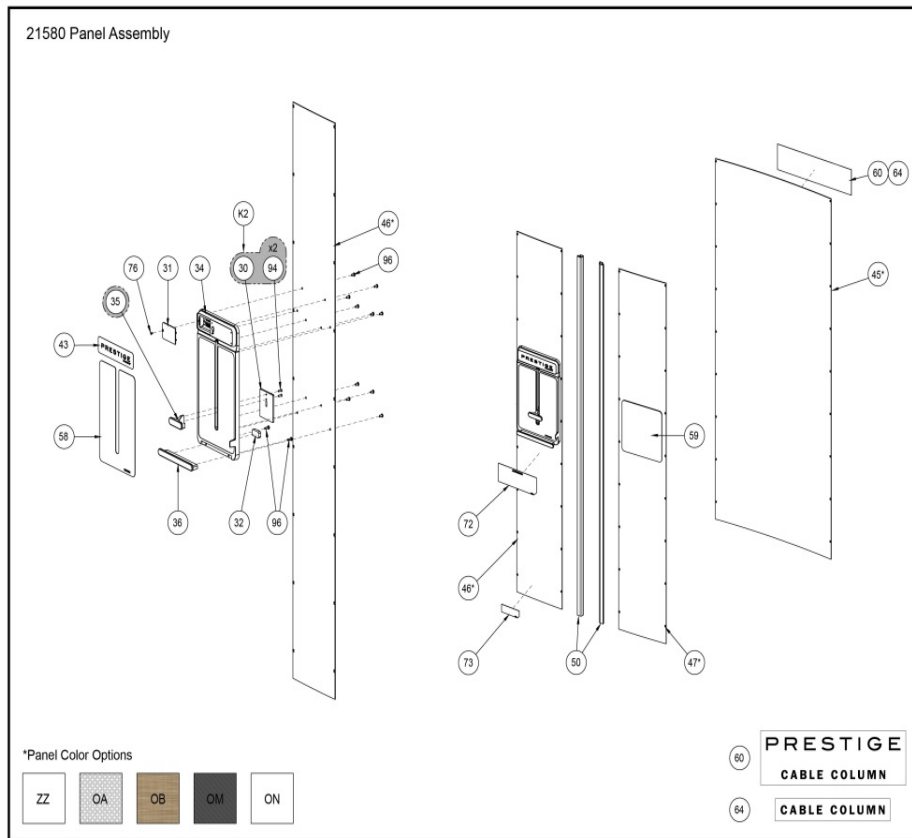
Ref #	Part Number	Qty	Description
56	21580-450	1	Bottom Tray
57	21580-452	1	Back Mount
69	BS070208	2	COMP SPRING .396 ID X .480 OD X 1.50 LG
71	CM000211	1	DECAL PATENT
77	HC620431	2	BHSCS .250-20 X 2.00
78	HC700415	2	BHSCS .375-16 X .75
79	HC700432	1	BHSCS .375-16 X 2.75
85	HN624100	2	HEX NUT .250-20
87	HN704901	1	LOCKNUT .375-16 NYLON
92	HT512517	2	TAP SC 10-24 X 1.00 TYPE WB PN HD PHIL BLK
93	HT512522	2	TAP SC 10-24 X 1.50 TYPE WB PN
95	HT542514	4	TAP SC NO 8-32 X .625 A PHIL
98	HT552515	8	TAP SC NO. 8-16 X .75 PLASTITE PN HD PHIL BLK
100	HY740000	1	SET SCREW
103	PN660200	2	INSERT PLASTIC 1.00 DIA-11 GA
106	PP090217	2	INSERT, PLASTIC 1.25 X 2.25
107	PP130002	1	INSERT DOMED PLASTIC
109	PR060005	2	BUMPER WEIGHT
110	PR069400	2	BUMPER RECESS
112	YA000201	1	ADH THRD LKR REM .02 OZ 242
123	11040-572	6	GUARD INCREMENT WEIGHT
124	11040-578	6	GUARD, INCREMENT WEIGHT
125,5	11040-030	12	INCREMENT WEIGHT S/A
-	CM000202	1	DECAL, SERIAL NUMBER

21580_Leg_Assembly



Ref #	Part Number	Qty	Description
9	12090-322	5	PAD FOOT
14	12220-201	1	W Leg LH Custom
15	12220-202	1	W Leg RH Custom
24	14220-202	2	W Stabilizer
25	14220-203	2	W Stabilizer Support
29	1670M115	2	FOAM GRIP UNGROUND
78	HC700415	8	BHSCS .375-16 X .75
89	HS-60531	4	BOLT,3-8X.75,BTHD CAP,BLK ZN,G5
90	HS-60536	4	BOLT,3-8X2.0,BTHD CAP,BLK ZN,G5
91	HS347600	8	WASHER SAE .375
99	HW-60085	4	WASH USS 5-16IN. B-ZINC
105	PP090213	2	INSERT PLASTIC
107	PP130002	4	INSERT DOMED PLASTIC
108	PP130003	4	INSERT PLASTIC
111	PR070004	4	FOOT PAD 3.00 X 5.00
112	YA000201	1	ADH THRD LKR REM .02 OZ 242

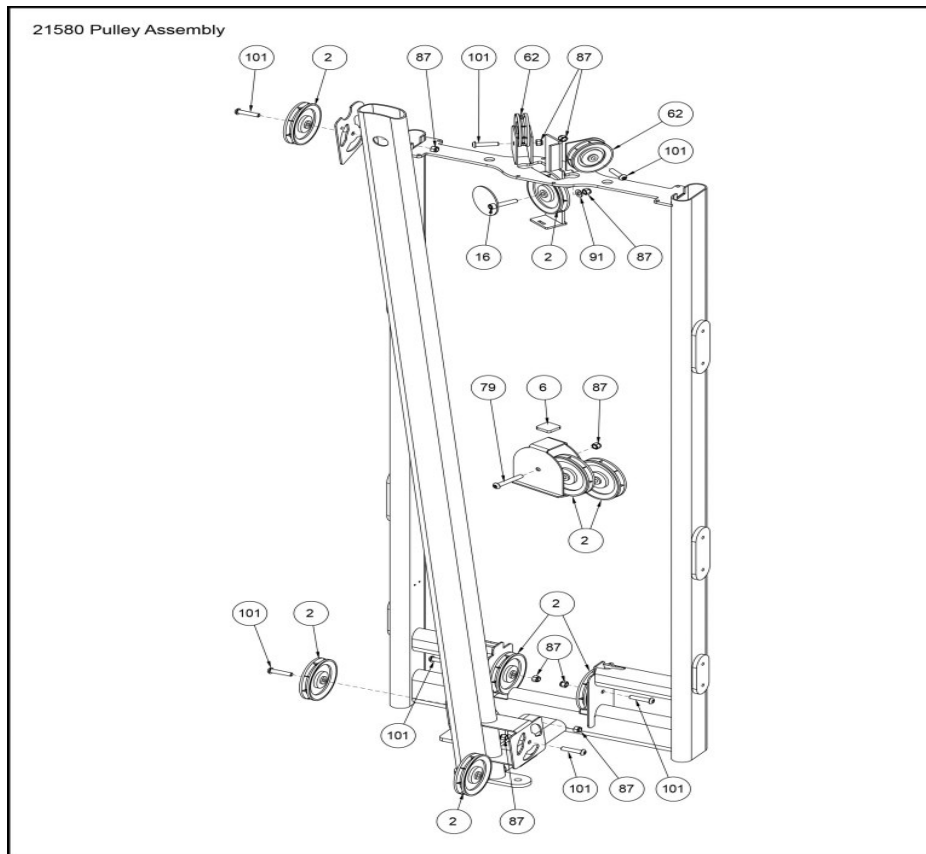
21580_Panel_Assembly



Ref #	Part Number	Qty	Description
K2	20000K007	1	KIT, CLAMP BAR REPLACEMENT
30	20000-483	1	WEIGHT PLATE
31	20000-524	1	COVER PLATE
32	20000-560	1	BUMPER
34	20000-652	1	PANEL, PLACARD
35	20000-662	1	CLAMP BAR
36	20000-655	1	BOTTOM TAB
43	21000-556	1	MEDIA CENTER DECAL
45	21040-440OM	1	BACK PANEL MORACO
45	21040-440OA	1	BACK PANEL ASPEN
45	21040-440OB	1	BACK PANEL BALI
45	21040-440ON	1	BACK PANEL
45	21040-440ZZ	1	BACK PANEL
46	21040-441OB	1	FRONT PANEL (MEDIA CENTER) BALI
46	21040-441ZZ	1	FRONT PANEL (MEDIA CENTER)
46	21040-441OA	1	FRONT PANEL (MEDIA CENTER) ASPEN
46	21040-441OM	1	FRONT PANEL (MEDIA CENTER) MONACO
46	21040-441ON	1	FRONT PANEL (MEDIA CENTER)
47	21040-442OB	1	FRONT PANEL, BALI
47	21040-442ON	1	FRONT PANEL
47	21040-442OM	1	FRONT PANEL, MONACO
47	21040-442OA	1	FRONT PANEL, ASPEN

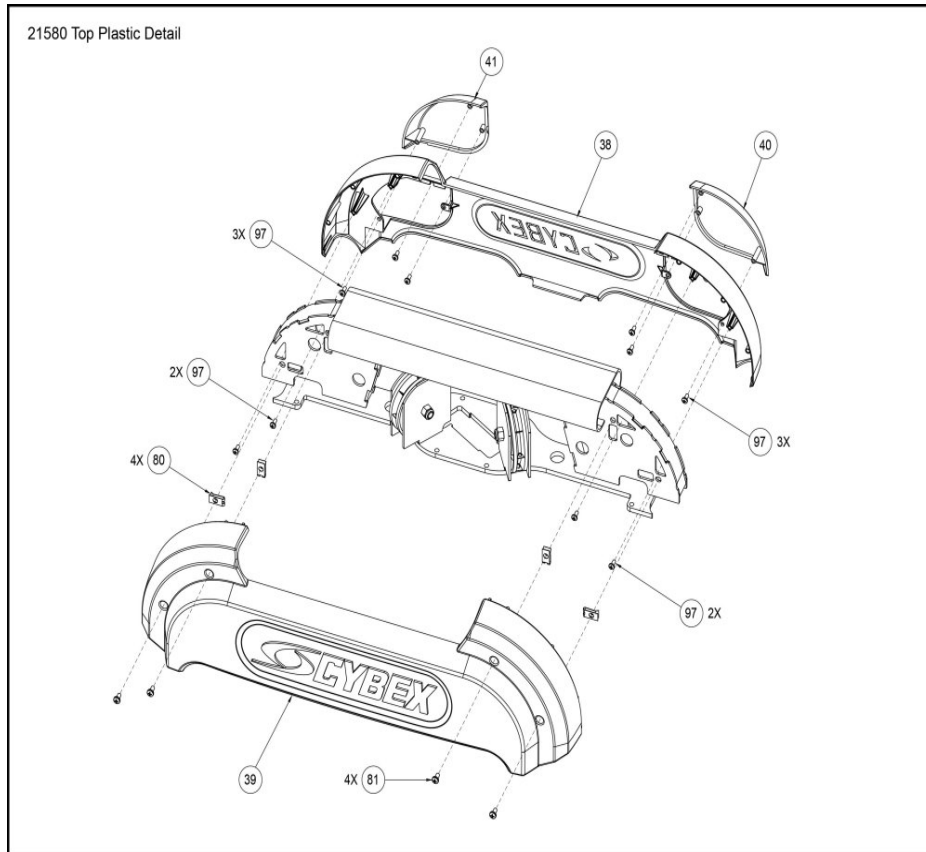
Ref #	Part Number	Qty	Description
47	21040-442ZZ	1	FRONT PANEL
50	21040-472	2	EXTRUDED GUARD
58	21580-598	1	Placard Prestige CC TA Custom
59	21580-599	1	Placard Prestige CC TA Custom
60	21580-700	1	DECAL, CABLE COLUMN
60	21580-701	1	DECAL, CABLE COLUMN
64	21580-704	1	DECAL, CABLE COLUMN
64	21580-703	1	DECAL, CABLE COLUMN
72	DE000023	1	Decal Warning Custom
73	DE000025	1	NLA: DECAL, MADE IN U.S.A.
76	HC041008	1	SCREW, FH PHILL. #4 X .250 TYPE AB
94	HT532712	2	FLAT HEAD PHILLIPS #6 X .500 LG TYPE AB
96	HT552509	10	TAP SC NO 8-16 X .31 PLASTITE PN HD PHIL

21580_Pulley_Assembly



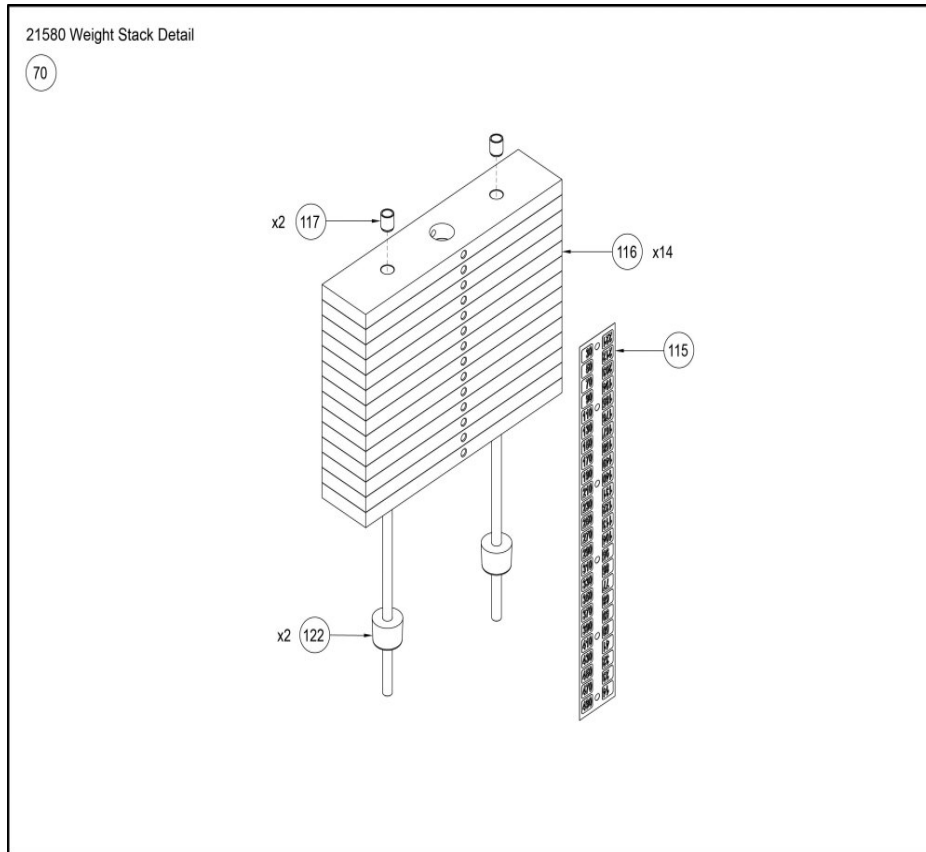
Ref #	Part Number	Qty	Description
2	08014	8	PULLEY ASSEMBLY-4.50
6	11040-409	1	BUMPER
16	12220-205	1	P Cam Bolt
62	4400-354	2	PULLEY ASSEMBLY-3.50
79	HC700432	1	BHSCS .375-16 X 2.75
87	HN704901	8	LOCKNUT .375-16 NYLON
91	HS347600	1	WASHER SAE .375
101	JC700424	8	BHSCS .375-16 X 1.75

21580_Top_Plastic_Detail



Ref #	Part Number	Qty	Description
38	21000-454	1	TOP CAP, FRONT
39	21000-455	1	TOP CAP, REAR
40	21000-457	1	TOP CAP INSERT LH
41	21000-460	1	TOP CAP INSERT RH
80	HF579000	4	PANEL FASTENER 10-24 U TYPE
81	HJ582510	4	SEMS 10-32 X .38
97	HT552511	10	TAP SC #8-16 X .38 TAP BLACK PLASTITE

21580_Weight_Stack_Detail



Ref #	Part Number	Qty	Description
70	4701-013	1	WT PAC 14 4 X 18 BLACK
115	14000-401	1	DECAL, WT PLATE TA
116	4000C101	14	C STACK WT 4X18
117	FB130216	2	Bushing Weight Stack
122	PR060005	2	BUMPER WEIGHT

