

# Signature Plate Loaded - Calf Raise

SPLCALF

## Parts Manual

5/22/2021 22:51:13 PM



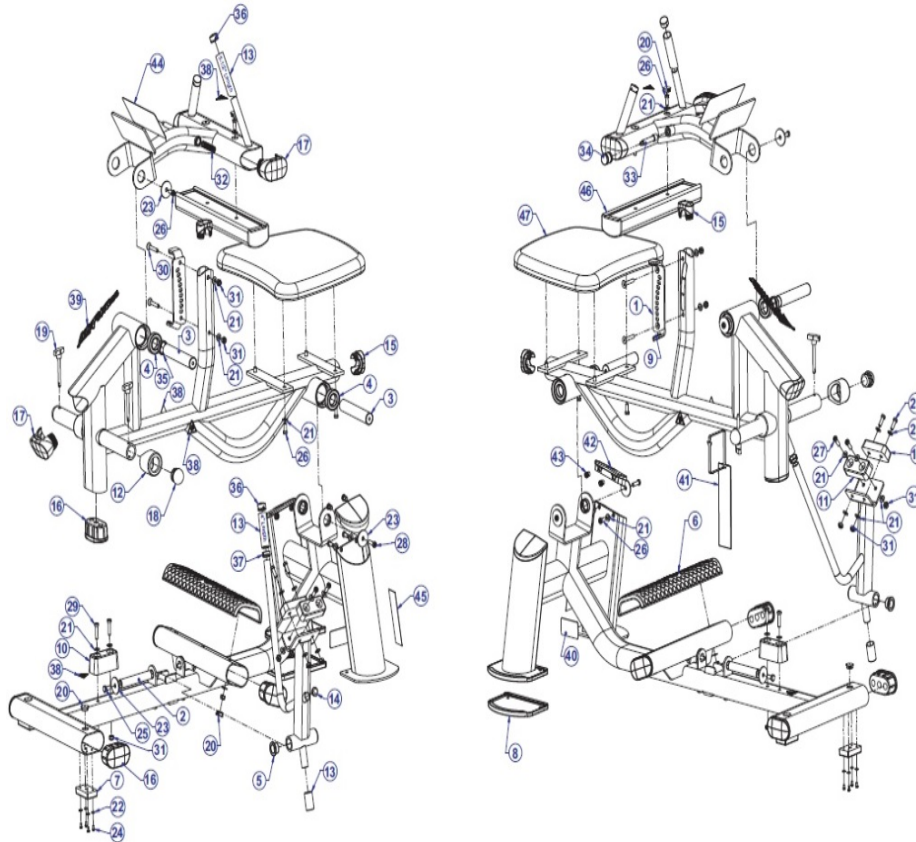
**Table of Contents**

---

[Component Assembly](#).....3  
[Labels and Placards](#).....5  
[Painted Frame Weldments](#).....6

\*\* Upholstery & Frame Colors are listed at the end of the Parts Manual \*\*

# Component Assembly



Ref #	Part Number	Qty	Description
1	8809401	1	Selector Bracket
2	7324906	1	Shaft Tapped 1" D 5.33"
3	8809601	2	Shaft
4	3243201	4	Ball Bearing
5	3104903	2	Bearing 1" ID 1.25" OD
6	7523701	1	Footplate Overmolded
7	8708901	2	Rubber Foot Pad
8	8708801	2	SPL Foot Slipper
9	7570801	2	Guard Paint 1.25 X .75 X .25
10	8722301	1	H-style Bumper
11	8832301	2	Small Bumper
12	8813301	2	Bumper Weight Horn - Medium
13	3235801	4	Grip - 1.25" OD
14	3119304	1	End Cap
15	7333801	2	End Cap FLOV Small
16	7800401	5	Large Cap
17	7333901	3	End Cap FLOV Large
18	8593501	2	Cap
19	8722401	2	Selector Pin
20	3237403	6	Plug 1" Hole
21	3273303	24	Hardware: WasherR, 3/8, THRU-HARDENED
22	3114407	8	Hardware: Flat Washer

Ref #	Part Number	Qty	Description
23	7322301	6	Plate 1.97 OD X .447 ID 10 GA
24	3239101	8	Hardware: Phillips Pan Screw
25	3251202	2	Hardware: Screw 25MM
26	3236202	12	Hardware: Screw 25MM
27	3236203	4	Hardware: Screw 30MM
28	3236204	2	Hardware: Screw 35MM
29	3236205	2	Hardware: Screw 40 MM
30	3238309	2	Hardware: Screw 60MM
31	3236801	10	Hardware: Nut 10 MM ID
32	7351501	1	Pull Pin Spring
33	7425103	1	Pull Pin 4.250
34	7424801	1	Pop Pin Knob
34	7424803	1	KNOB TULIP STYLE
35	7511501	4	Spacer FZ/PS Internal X .403
36	7662901	3	Grip Cap
37	7662801	1	Grip Ring 1.25"
38	8039501	4	Label Warning Triangle 10-0099-067 BNR
39	8866901	1	Label LF Logo 10 IN. - Flat
41	8343101	1	Tag - Bolt To Floor
42	7326295	2	Cap D-Tube-Top
43	3238601	4	Blind Thread Insert - 1.5"
44	8820699	1	LABEL, SPLCALF PLACARD- Choose Language
45	8773799	1	Label, ASTM, Placard Vertical - Custom
46	████████	1	PAD, KNEE Custom
47	████████	1	PAD, SEAT LE/SLC Custom

\*\* Upholstery and Frame Colors are list at the end of the Parts Manual \*\*

### Labels and Placards

ASTM Warning Label



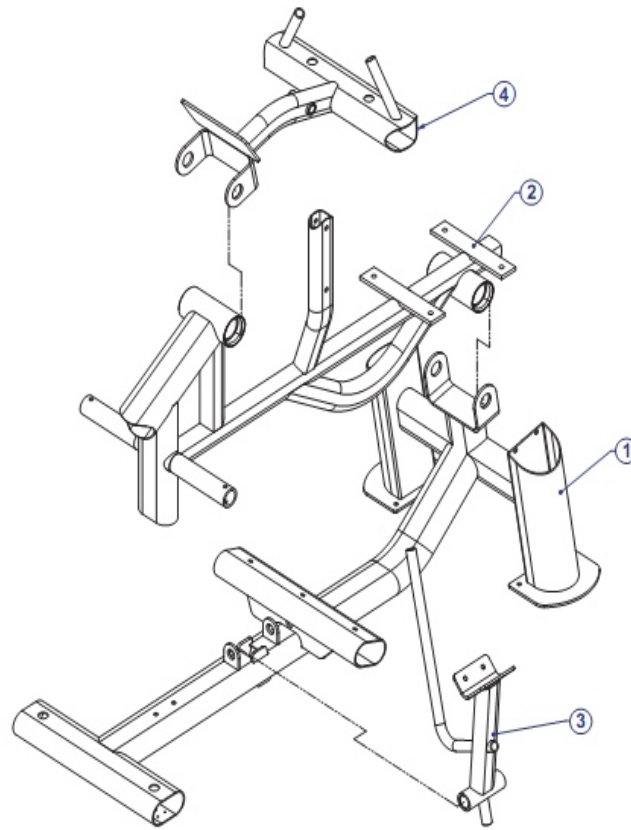
Instructional Placard



Ref #	Part Number	Qty	Description
-	8820602	1	Placard, SPLCALF, Instructions - German
-	8820601	1	Placard, SPLCALF, Instructions - English
-	8773705	1	Label, ASTM, Placard Vertical - Italian
-	8773706	1	Label, ASTM, Placard Vertical - Dutch
-	8820604	1	Placard, SPLCALF, Instructions - Spanish
-	8820605	1	Placard, SPLCALF, Instructions - Italian
-	8820608	1	Placard, SPLCALF, Instructions - Portugese
-	8773702	1	Label, ASTM, Placard Vertical - German
-	8773707	1	Label, ASTM, Placard Vertical - Japanese
-	8773708	1	Label, ASTM, Placard Vertical - Portugese
-	8773701	1	Label, ASTM, Placard Vertical - English
-	8773704	1	Label, ASTM, Placard Vertical - Spanish
-	8820607	1	Placard, SPLCALF, Instructions - Japanese
-	8820603	1	Placard, SPLCALF, Instructions - French
-	8820606	1	Placard, SPLCALF, Instructions - Dutch
-	8773703	1	Label, ASTM, Placard Vertical - French

\*\* Upholstery and Frame Colors are list at the end of the Parts Manual \*\*

**Painted Frame Weldments**



Ref #	Part Number	Qty	Description
1	8806500	1	Weldment SPLCALF Frame
2	8807900	1	Weldment SPLCALF Workarm
3	8808500	1	Weldment SPLCALF Stop
4	8809000	1	Weldment SPLCALF Thigh Pad Adjust

\*\* Upholstery and Frame Colors are list at the end of the Parts Manual \*\*

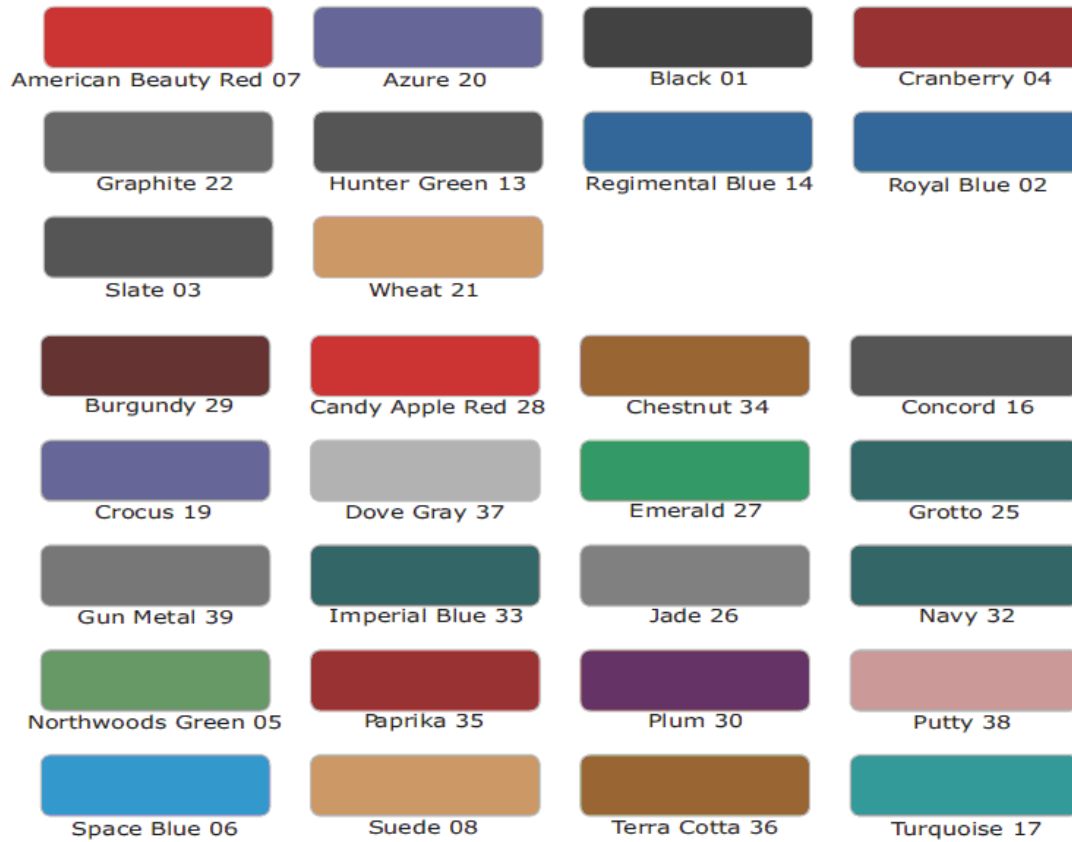
# Frame and Upholstery Color Chart

## Frame Colors



Note: Include frame color in order notes when ordering frame assemblies or weldments.

## Upholstery Colors



Replace '99' with the above color suffix when ordering pads (i.e. 7412399 = 7412301 BLACK)

