

Signature Series Plate-Loaded - Pull Down

SPLPD

Parts Manual

5/22/2021 22:52:43 PM





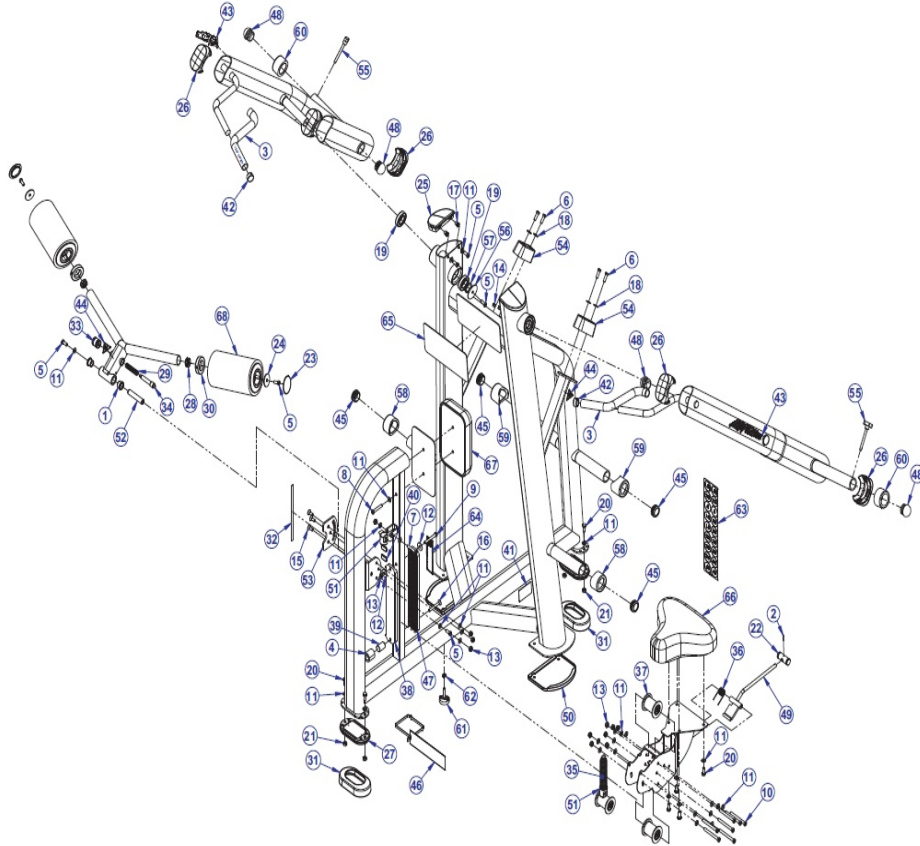
**SPLPD - SIGNATURE SERIES
PLATE-LOADED - PULL DOWN**

Table of Contents

Component Assembly	3
Labels and Placards	5
Painted Frame Weldments	6

** Upholstery & Frame Colors are listed at the end of the Parts Manual **

Component Assembly



Ref #	Part Number	Qty	Description
1	3104901	2	Bearing 3/4" ID 1" OD
2	3110010	1	Roll Pin 1/8" D X 7/8" L
3	3235801	2	Grip - 1.25" OD
4	3235804	1	Grip 1.5" OD
5	3236202	10	Hardware: Screw 25MM
6	3236203	4	Hardware: Screw 30MM
7	3236208	1	Hardware: Screw 55MM
8	3236209	2	Hardware: Screw 60MM
9	3236212	1	Hardware: Screw 75MM
10	3236217	7	Hardware: Screw 100MM
11	3273303	35	Hardware: WasherR, 3/8, THRU-HARDENED
12	3236602	2	Washer 3/8"
13	3236801	12	Hardware: Nut 10 MM ID
14	3237402	2	Plug 1/2" Hole
15	3238302	3	Hardware: Screw 25MM
16	3238312	1	Hardware: Screw 75mm
17	3238601	4	Blind Thread Insert - 1.5"
18	3241401	4	WASHER FLAT 12MM SS
19	3243201	4	Ball Bearing
20	3251202	8	Hardware: Screw 25MM
21	3254703	4	Hardware: Nut 10 MM ID
22	7287901	1	Handle Adjuster

Ref #	Part Number	Qty	Description
22	7287903	1	Adjuster Handle
23	7308701	2	Cap Bearing Housing
24	7322301	2	Plate 1.97 OD X .447 ID 10 GA
25	7326295	2	Cap D-Tube-Top
26	7333901	6	End Cap FLOV Large
27	7334001	2	Foot 2.50 X 4.49 Flov 10-0074-046 BNR
28	7347301	2	Hardware: Nut 10 MM ID
29	7351501	1	Pull Pin Spring
30	7357901	2	Shaft Collar
31	7419701	2	Cover Foot 10 Deg
32	7422002	1	Label Seat Adjust
33	7424801	1	Pop Pin Knob
33	7424803	1	KNOB TULIP STYLE
34	7425103	1	Pull Pin 4.250
35	7442601	1	Spring PRO2 Roller Seat
36	7442701	1	Spring PRO2 Handle Torsion
37	7564201	3	Assembly Seat Roller
38	7564401	1	Seatrack Flat
39	7570601	1	Stop Roller Seat
40	7570801	2	Guard Paint 1.25 X .75 X .25
42	7662901	2	Grip Cap
43	8866901	2	Label LF Logo 10 IN. - Flat
44	8039501	3	Label Warning Triangle 10-0099-067 BNR
45	8078001	4	End Cap
46	8343101	1	Tag - Bolt To Floor
47	8416801	1	Track Seat - Serrated (20 Slots)
48	8593501	4	Cap
49	8708595	1	Weldment SPL Release Handle SG
50	8708801	2	SPL Foot Slipper
51	8719701	2	Spring End Cap
52	8720801	1	Shaft .75"
53	8721001	1	Plate SPL Selector
54	8722301	2	H-style Bumper
55	8722401	2	Selector Pin
56	8722595	2	Cover Plate - Shadow Gray
57	8752801	2	Pivot O-ring
58	8813201	2	D-tube Bumper Weight Horn
59	8813301	2	Bumper Weight Horn - Medium
60	8813401	2	Flat Bumper Weight Horn - medium
61	0K68-01047-0000	1	Leg Leveler
62	0017-00103-0330	1	Hardware: Nut 10 MM ID
63	8351801	1	Labe Sheet Weight Horn
64	8773799	1	Label, ASTM, Placard Vertical - Custom
65	8720999	1	Placard, SPLPD, Instructions - Custom
66	7297199	1	PAD, SEAT SADDLE Custom
67	8720299	1	PAD, 7 IN X 11-1/4 IN, NO BACKINGTOM Custom

** Upholstery and Frame Colors are list at the end of the Parts Manual **

Labels and Placards

ASTM Warning Label



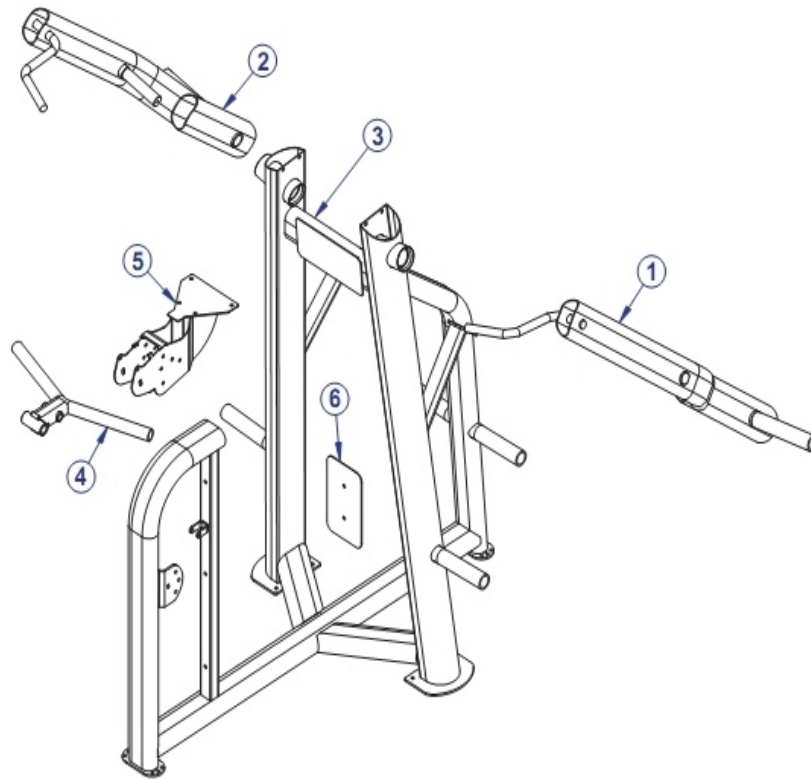
Instructional Placard



Ref #	Part Number	Qty	Description
68	██████████	2	ASSY, ROLLER PAD SHORT Custom
-	8773706	1	Label, ASTM, Placard Vertical - Dutch
-	8720902	1	Placard, SPLPD, Instructions - German
-	8720904	1	Placard, SPLPD, Instructions - Spanish
-	8773702	1	Label, ASTM, Placard Vertical - German
-	8773707	1	Label, ASTM, Placard Vertical - Japanese
-	8773708	1	Label, ASTM, Placard Vertical - Portugese
-	8720901	1	Placard, SPLPD, Instructions - English
-	8720908	1	Placard, SPLPD, Instructions - Portugese
-	8773701	1	Label, ASTM, Placard Vertical - English
-	8720905	1	Placard, SPLPD, Instructions - Italian
-	8773704	1	Label, ASTM, Placard Vertical - Spanish
-	8720907	1	Placard, SPLPD, Instructions - Japanese
-	8773703	1	Label, ASTM, Placard Vertical - French
-	8773705	1	Label, ASTM, Placard Vertical - Italian
-	8720903	1	Placard, SPLPD, Instructions - French
-	8720906	1	Placard, SPLPD, Instructions - Dutch

** Upholstery and Frame Colors are list at the end of the Parts Manual **

Painted Frame Weldments



Ref #	Part Number	Qty	Description
1	8714300	1	Weldment SPLPD Workarm - Left
2	8714600	1	Weldment SPLPD Workarm - Right
3	8715600	1	Weldment SPLPD Main Frame
4	8716200	1	Weldment Hold Down
5	8718300	1	Weldment 90 Deg Seat Reversed
6	8719601	1	Steel Plate

** Upholstery and Frame Colors are list at the end of the Parts Manual **

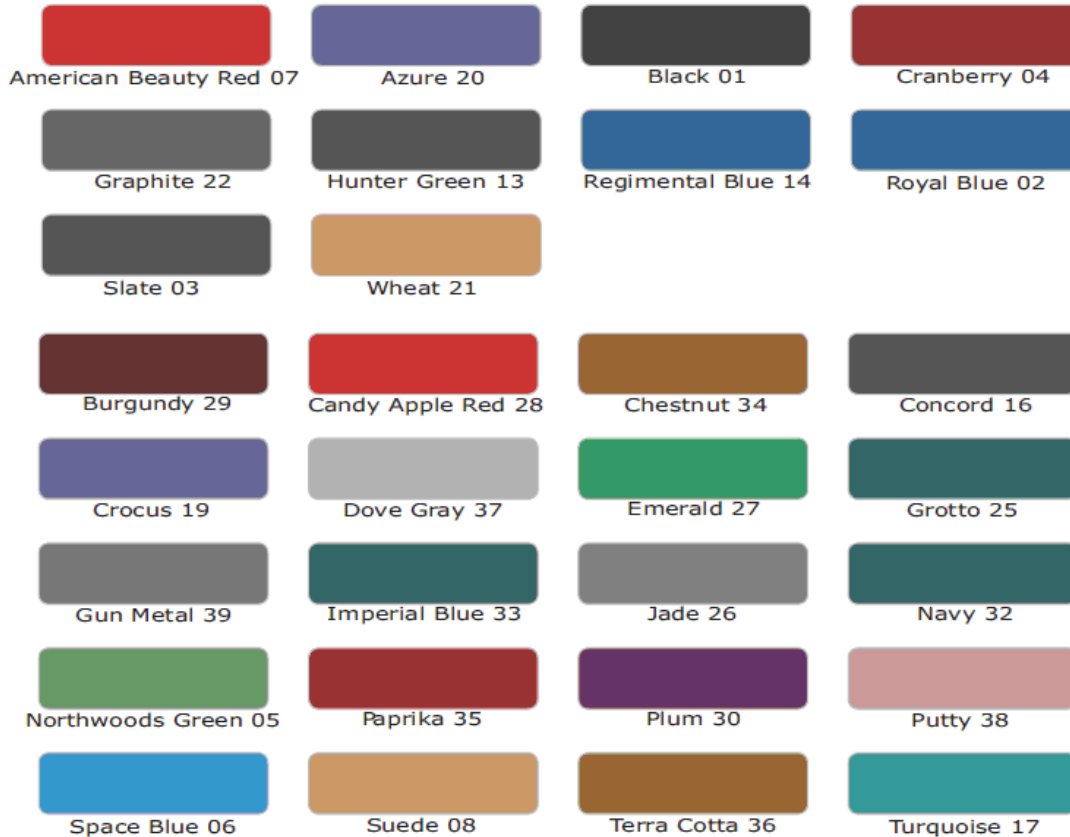
Frame and Upholstery Color Chart

Frame Colors



Note: Include frame color in order notes when ordering frame assemblies or weldments.

Upholstery Colors



Replace '99' with the above color suffix when ordering pads (i.e. 7412399 = 7412301 BLACK)

