

# Signature Series Plate-Loaded Row

SPLROW

## Parts Manual

5/22/2021 22:54:04 PM





**SPLROW - SIGNATURE SERIES  
PLATE-LOADED ROW**

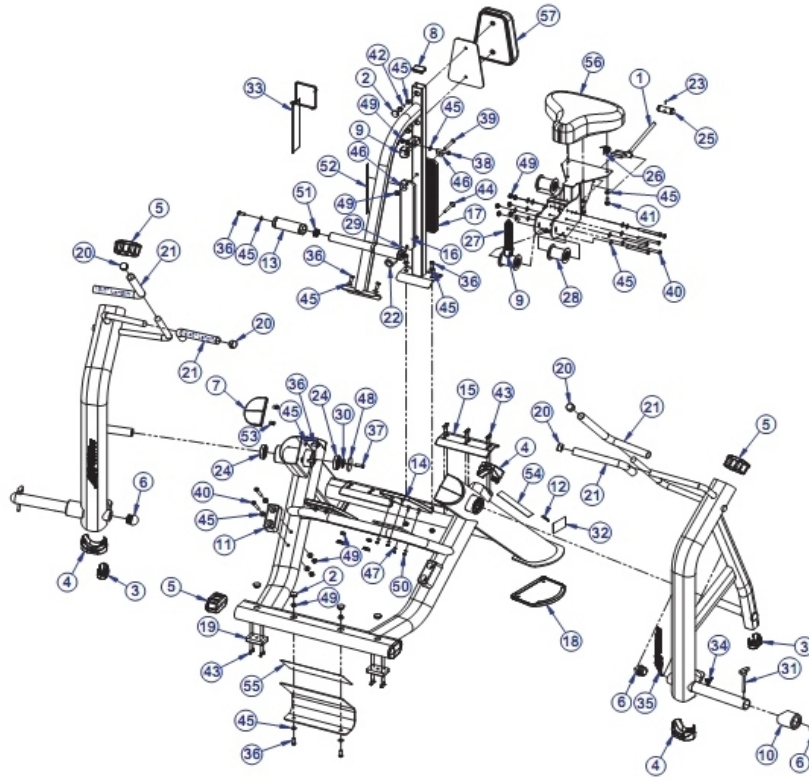
**Table of Contents**

---

[Component Assembly](#).....3  
[Labels and Placards](#).....5  
[Painted Frame Weldments](#).....6

\*\* Upholstery & Frame Colors are listed at the end of the Parts Manual \*\*

# Component Assembly



Ref #	Part Number	Qty	Description
1	8708595	1	Weldment SPL Release Handle SG
2	3237403	8	Plug 1" Hole
3	7333801	2	End Cap FLOV Small
4	7333901	4	End Cap FLOV Large
5	7800401	4	Large Cap
6	8593501	4	Cap
7	7326295	2	Cap D-Tube-Top
8	9217401	1	CAP, 1.5IN X 2IN -10-14GA, END
9	8719701	2	Spring End Cap
10	8817001	2	Bumper Weight Horn - Large
11	8722301	2	H-style Bumper
12	7570801	2	Guard Paint 1.25 X .75 X .25
13	7800101	2	Grip 1.50 ID Foot
14	LEA7640301	2	Foot Pad CM/MJ Overmold
15	7821702	2	Long Guard
16	7564401	1	Seatrack Flat
17	8416801	1	Track Seat - Serrated (20 Slots)
18	8708801	2	SPL Foot Slipper
19	8708901	2	Rubber Foot Pad
20	7662901	4	Grip Cap
21	3235801	4	Grip - 1.25" OD
22	3235804	1	Grip 1.5" OD

Ref #	Part Number	Qty	Description
23	3110010	1	Roll Pin 1/8" D X 7/8" L
24	3243201	4	Ball Bearing
25	7287901	1	Handle Adjuster
25	7287903	1	Adjuster Handle
26	7442701	1	Spring PRO2 Handle Torsion
27	7442601	1	Spring PRO2 Roller Seat
28	7564201	3	Assembly Seat Roller
29	7570601	1	Stop Roller Seat
30	8752801	2	Pivot O-ring
31	8722401	2	Selector Pin
33	8343101	1	Tag - Bolt To Floor
34	8039501	2	Label Warning Triangle 10-0099-067 BNR
35	8866901	2	Label LF Logo 10 IN. - Flat
36	3236202	12	Hardware: Screw 25MM
37	3236203	2	Hardware: Screw 30MM
38	3236208	1	Hardware: Screw 55MM
39	3236212	1	Hardware: Screw 75MM
40	3236217	10	Hardware: Screw 100MM
41	3251202	4	Hardware: Screw 25MM
42	3251204	2	Hardware: Screw 35MM
43	3239101	20	Hardware: Phillips Pan Screw
44	3238312	1	Hardware: Screw 75mm
45	3273303	40	Hardware: WasherR, 3/8, THRU-HARDENED
46	3236602	2	Washer 3/8"
47	3241801	8	Flat Washer 6MM
48	8722595	2	Cover Plate - Shadow Gray
49	3236801	18	Hardware: Nut 10 MM ID
50	3236802	8	Hardware: Nut 6 MM ID
51	7347301	2	Hardware: Nut 10 MM ID
52	7422002	1	Label Seat Adjust
53	3238601	4	Blind Thread Insert - 1.5"
54	8773799	1	Label, ASTM, Placard Vertical - Custom
55	8816099	1	Placard, SPLROW, Instructions - Custom
56	7297199	1	PAD, SEAT SADDLE Custom
57	██████████	1	PAD, CHEST 10 X 7-5/8 Custom

\*\* Upholstery and Frame Colors are list at the end of the Parts Manual \*\*

Labels and Placards

ASTM Warning Label



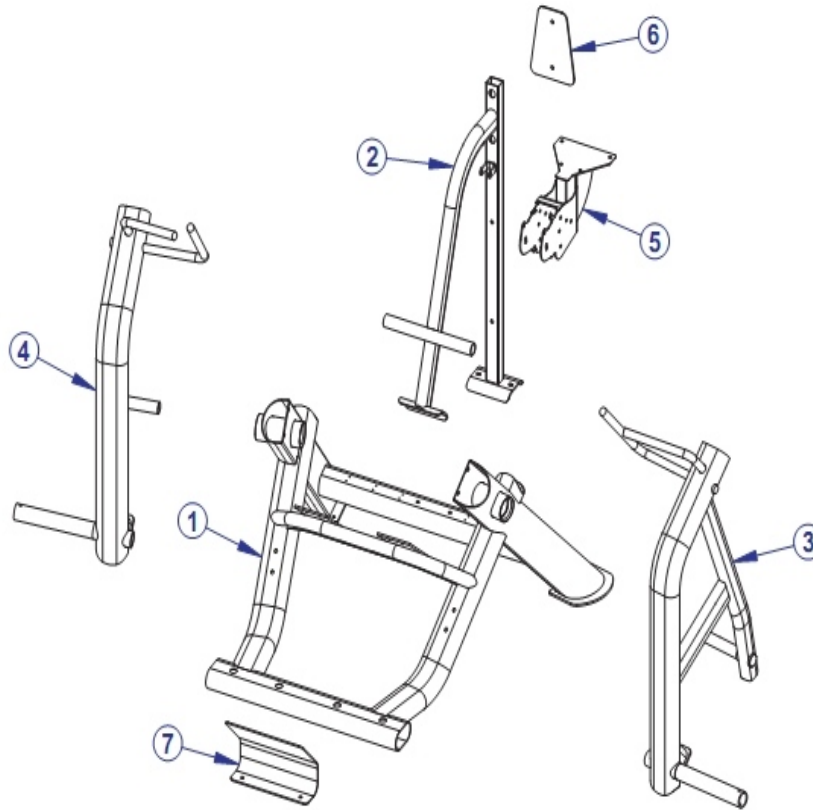
Instructional Placard



Ref #	Part Number	Qty	Description
-	8816003	1	Placard, SPLROW, Instructions - French
-	8773701	1	Label, ASTM, Placard Vertical - English
-	8816004	1	Placard, SPLROW, Instructions - Spanish
-	8816002	1	Placard, SPLROW, Instructions - German
-	8773708	1	Label, ASTM, Placard Vertical - Portugese
-	8773707	1	Label, ASTM, Placard Vertical - Japanese
-	8773702	1	Label, ASTM, Placard Vertical - German
-	8773706	1	Label, ASTM, Placard Vertical - Dutch
-	8816006	1	Placard, SPLROW, Instructions - Dutch
-	8816005	1	Placard, SPLROW, Instructions - Italian
-	8816008	1	Placard, SPLROW, Instructions - Portugese
-	8773705	1	Label, ASTM, Placard Vertical - Italian
-	8773703	1	Label, ASTM, Placard Vertical - French
-	8816001	1	Placard, SPLROW, Instructions - English
-	8816007	1	Placard, SPLROW, Instructions - Japanese
-	8773704	1	Label, ASTM, Placard Vertical - Spanish

\*\* Upholstery and Frame Colors are list at the end of the Parts Manual \*\*

## Painted Frame Weldments



Ref #	Part Number	Qty	Description
1	8750300	1	Weldment SPLROW Frame
2	8751100	1	Weldment SPLROW Seat Frame
3	9306700	1	WLDMT, SPLROW, LEFT WORKARM
4	9307100	1	WLDMT, SPLROW, RIGHT WORKARM
5	8718300	1	Weldment 90 Deg Seat Reversed
6	7441601	1	Chest Pad Plate
7	8811601	1	Bracket SPLROW Placard Mount

\*\* Upholstery and Frame Colors are list at the end of the Parts Manual \*\*

# Frame and Upholstery Color Chart

## Frame Colors



Note: Include frame color in order notes when ordering frame assemblies or weldments.

## Upholstery Colors



Replace '99' with the above color suffix when ordering pads (i.e. 7412399 = 7412301 BLACK)

