

# T7i Interactive Console and Base

T7I-0102-0101

## Parts Manual

8/11/2023 12:17:50 PM

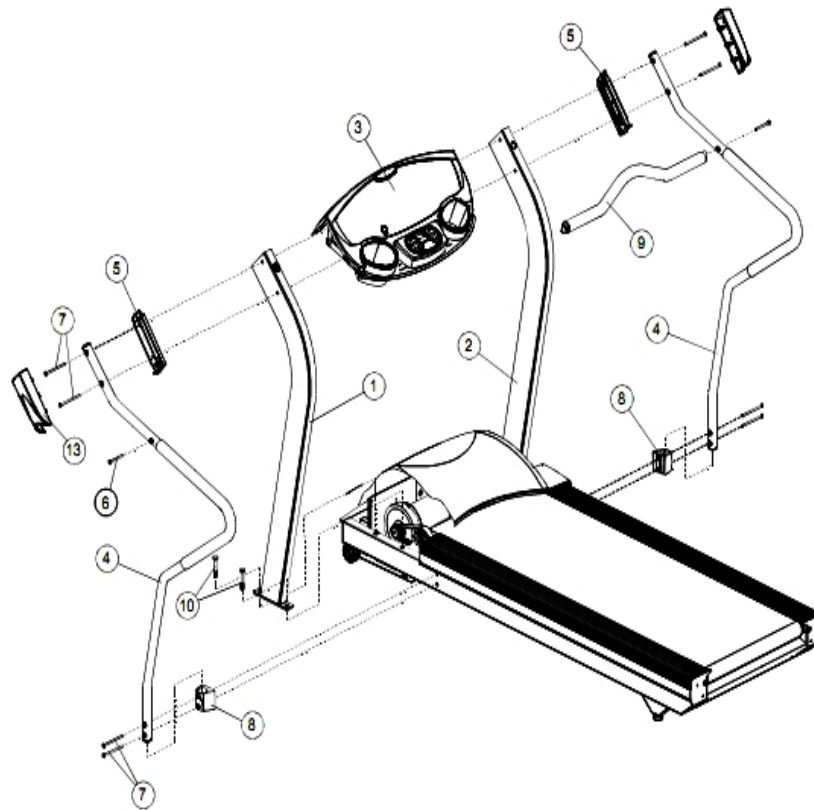


**Table of Contents**

---

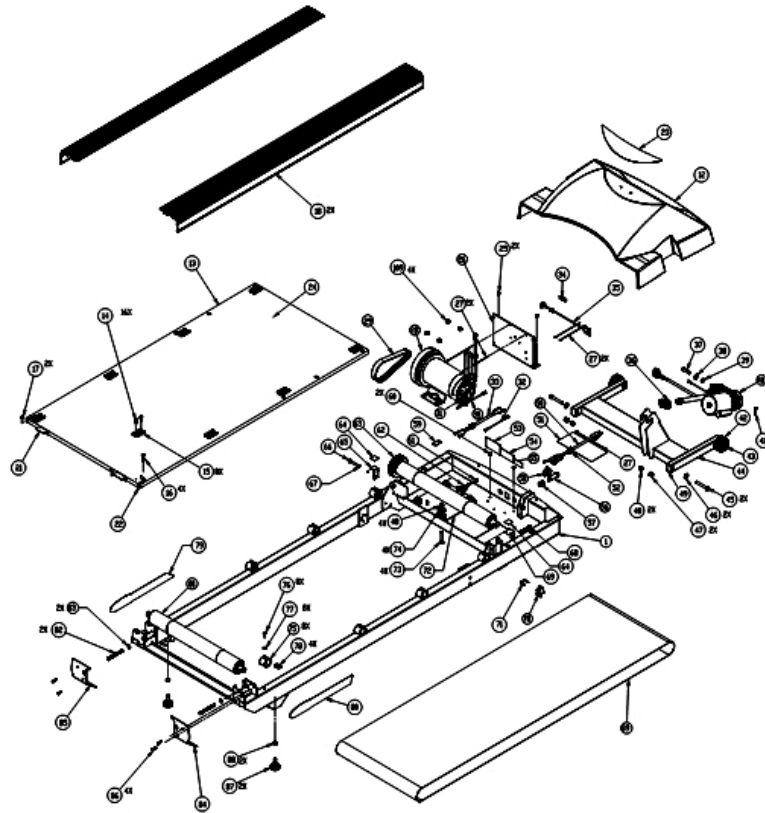
<a href="#">Component Assembly 1</a> .....	3
<a href="#">Component Assembly 2</a> .....	4
<a href="#">Component Assembly 3</a> .....	7
<a href="#">Component Assembly 4</a> .....	8
<a href="#">Miscellaneous</a> .....	9

## Component Assembly 1



Ref #	Part Number	Qty	Description
1	6860001	1	ASSY, UPRIGHT LEFT
2	6860401	1	Assembly, Upright Right
3	7233101	1	T7I CONSOLE-S KIT
4	7010101	1	ASSY, HANDRAIL
5	7127201	1	SPACER, UPPER
6	3208001	1	1/4-20 X 3 HXS FLT CS ST BZ
7	3207701	1	1/4-20 X4-1/4 HXS FLT CS ST BZ
8	7127101	1	Spacer, Bottom
9	7010401	1	ASSY, CROSS TUBE
10	3223310	1	3/8-16 X 3-1/4 UNS HEX FHB G5 ZN
13	7966001	1	Deck, 20 X 60 Walking Surface

## Component Assembly 2



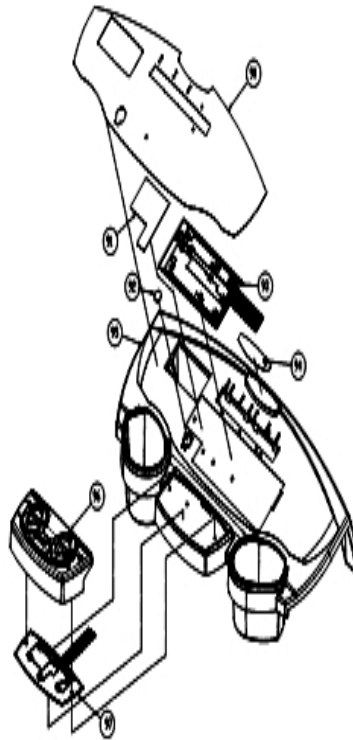
Ref #	Part Number	Qty	Description
1	6860001	1	ASSY, UPRIGHT LEFT
12	7963201	1	Assembly, Motor Shroud
13	7966001	1	Deck, 20 X 60 Walking Surface
14	3208701	1	11 X 12 Slate HXW AB ST ZN
15	7074401	1	BRACKET, EXTRUSION MOUNTING
16	0017-00101-1775	1	SCREW: 1/4-20 X 20, HXS, FLT, L, CS, ST, ZB
17	3222201	1	8 X 20 PHL WAFER SMS AB ST BZ
18	7004501	1	Extrusion, 20 X 60 Belt
21	6913301	1	Guard, Rear Roller
22	7084601	1	TAPE, UHMW 1/2 X 2-1/2 X 5 MIL
23	7158101	1	Label, Motor Cover T7I
24	6992601	1	DECK, 20 X 60 WALKING SURFACE
25	3208601	1	10-32 X 6 PHL PAN S TT ST ZN
26	7153101R	1	"R & R" Only Assembly:Motor Control; 120V; T5
27	3221201	1	CABLE TIE, 3/32 X 6
28	7934401	1	Assembly, Motor, 3.00HP, 120V
29	3259901	1	BELT, POLY-V, 200 J10
30	7059001	1	S-Kit, Opto Sensor & Cable
30	7059001	1	S-Kit, Opto Sensor & Cable
30	7059001	1	S-Kit, Opto Sensor & Cable
30	7059001	1	S-Kit, Opto Sensor & Cable
31	6823501	1	Wheel, Sensor

Ref #	Part Number	Qty	Description
32	6856701	1	Cable Assembly, Circuit Breaker
33	6840001	1	CABLE ASSY, PWR CONTROL
34	6938201	1	MICROPROCESSOR, PROG. T3/T5
35	AK59-00084-0000	1	Cable-Assembly: Home Switch C
36	6822101	1	NUT, ACTUATOR
37	3204501	1	Pin, Clevis 3/8 Diameter X 1.5
38	3102514	1	WASHER, FLAT 3/8 IN SAE ST ZN
39	3227501	1	SPRING, .60 DIA X .045 X .50
40	6961101	1	Actuator, 115 Volt
41	3204601	1	HAIRPIN COTTER 5/16-3/8 DIA
42	6822001	1	Wheel, 2-1/2 OD X 1/2 ID
43	3205101	1	PUSHNUT, 1/2 SHAFT
44	6870601	1	Assembly, Lift Frame
45	3102903	1	3/8-16 X 2-1/2 UNS HEX FHB G2 ZN
46	3227202	1	WSH,.377 X .875 X .062 FLT NY
47	3221901	1	SPACER,NYLON 3/8ID X5/8OD X1/2
48	3102802	1	NUT, NYLOCK 3/8-16
49	OK60-01092-0000	1	CAP: TUBE-END
50	7035801	1	ASSY, VOLT/CORD 120/60 T7I
51	6856001	1	LABEL, LINECORD VOLT FRN/ENG
52	3206901	1	BUSHING, STRAIN RELIEF
53	6913901	1	LABEL, ID VOLT & SERIAL NUMBER
54	6988701	1	LABEL, PATENT
55	6856101	1	LABEL, ETL UL/CSA LISTING
56	3209201	1	CIRCUIT BREAKER, 15 AMP
57	3220001	1	CLIP, CIRCUIT BREAKER
58	0017-00032-0198	1	SWITCH: POWER, DPST ROCKER
59	6907201	1	LABEL, EXCESS CABLE WARNING
60	3209301	1	10 X 6 UNS HWX L B ST GR
61	3205401	1	1/4-20 X 2 UNS HEX FHB G5 ZN
62	3102506	1	WASHER, FLAT 1/4 ID ZN
63	8315801	1	ASSY, FRONT ROLLER W/PULLEY, 2.5 IN, T35
64	6839901	1	Pad, Dual Lock 400 1" X 1"
65	7013301	1	BRACKET, MOTOR COVER
66	3223903	1	5/16-18 UNS HEX FHB G5 ZN X.75
67	3114505	1	Washer, Lock 5/16 ID BZ
68	3206002	1	5/16-18X2-1/8 HXS SOC CS ST BZ
69	7023501	1	BRACKET, MOTOR COVER
70	3204701	1	Switch, Home
71	6872701	1	CLIP, SWITCH RETAINING
72	7159201	1	ASSY, ISOLATION MOUNT
73	3102933	1	3/8-16X2 UNS HEX FHB G2 ZN
74	3226501	1	WASHER,3/8" WIDE TYPE B PLAIN
75	6821903	1	SPRING, TECSPAC RED
76,86	3234805	2	12-24 X 12 PHL PAN TT ST BZ
77	3114407	1	WASHER, FLAT #10 SAE ST BZ
78	0017-00103-0198	1	NUT: 1/4 -20, TINNERMAN, ST, ZN
79	7014801	1	LABEL, SIDERAIL T7I, LH
80	7191601	1	LABEL, SIDERAIL T7I, RH
81	7003201	1	ROLLER, REAR IDLER 2.5 IN
82	3206001	1	5/16-18X3-1/4 HXZ SOC CS ST BZ
83	3114409	1	WASHER, FLAT 5/16 AN ST BZ
84	7010906	1	CAP, END RIGHT 20" BLK PLATN
85	7010806	1	CAP, END LEFT 20" BLK PLATN
87	AK59-00119-0000	1	Assembly, Leg Leveler
88	3102701	1	VMI NUT, 3/8-16 HEX
89	7758501	1	Belt, Walking 20 X 60, PLS

Ref #	Part Number	Qty	Description
109	3205801	1	NUT, 5/16-18 HEX SERR FLANGE

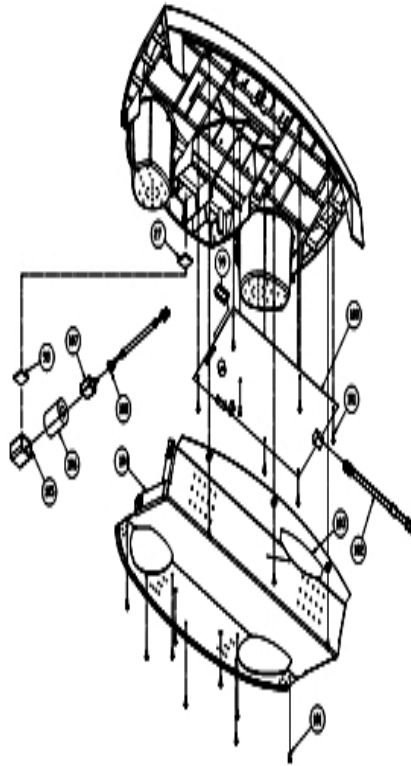
## Component Assembly 3

---



Ref #	Part Number	Qty	Description
90	7128701	1	Overlay, T7I Console
91	6870501	1	Spacer, Membrane
92	6855301	1	Disk, Magnet
93	6842801	1	Membrane Switch, Inter Elect
94	7226301	1	LABEL, CONSOLE FRONT
95	6844801	1	CONSOLE, PLASTIC INTERACTIVE
96	6840901	1	Button Module
97	6844001	1	MEMBRANE SWITCH, BUTTON MODULE

## Component Assembly 4



Ref #	Part Number	Qty	Description
27	3221201	1	CABLE TIE, 3/32 X 6
98	6839901	1	Pad, Dual Lock 400 1" X 1"
99	7157901	1	Eprom, Programmable. T3.5 English
100	7073801	1	Printed Circuit Board-Unprogrammable Console (16 D
101	3207501	1	6-20 X 6 PHL PAN B ST BZ
102	6840601	1	Cable, Console
103	6862601	1	Label, Console Back
104	6840301	1	ASSY, CONSOLE PAN
105	6944802	1	TUBE, 1 X 1-1/2 11GA X 1-1/2BLK
106	6855601	1	ISOLATOR, RECEIVER TUBE
107	118E-00001-0261	1	Electrical:Polar Plug-In Coded Receiver
108	6844401	1	CABLE ASSY, JACK/HR



**Miscellaneous**

---

Ref #	Part Number	Qty	Description
11	7127401	1	Cover, Upper
19	7011001	1	BRACKET, BELT GUIDE 2.5"
-	7143901	1	SERVICE MANUAL, T7I
-	7144001	1	INSTRUCTION, INSTALL, T7I
-	7143701	1	COVER, 77 X 26 X 11
-	7028201	1	HDWE ASSY, BAG 2/2 T35
-	7028101	1	NLA: HDWE ASSY, BAG 1/2 T35
-	6844301	1	Strap, Heart Rate Life Fitness
-	6841301	1	Assembly, Safety Key
-	3221101	1	Wrench, 5/32 HEX Long Arm
-	3208101	1	Wrench, 1/4 HEX Long Arm
-	8254701	1	Transmitter, Polar HR
-	6841901	1	CARD, WARRANTY

